



9" X 12" FIXED TYPE ALUMINUM WINDOW BARS INSTALLATION INSTRUCTIONS

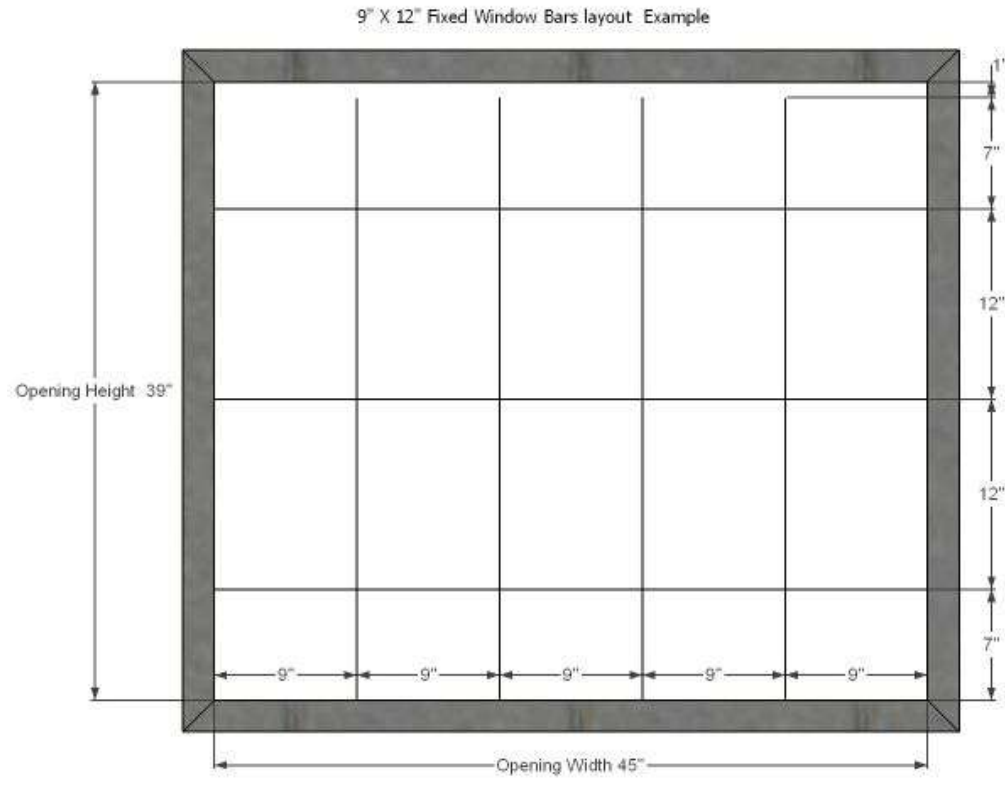
Import Note :

- 9" X 12" Spacing Fixed Type Installation is covered in this Instruction.
- Fixed Bars can be Mount in Recess Position (Between Window Jamb/ Frame)or Surface Mount (Face Of Wall)
- This Fixed Window bars mounts only on two sides. Not at top and Bottom.
- The spacing between horizontal bars is 12".
- The spacing between two vertical bars is 9".
- The Height of Vertical Bars is 1" less than Opening Height to Installation.
- Please make sure you understand layout example below and make a your layout according to size for easier Installation.
- We custom cut and make Window bars for your Order for Opening Size of Window.



9" X 12" FIXED TYPE ALUMINUM WINDOW BARS INSTALLATION INSTRUCTIONS

9" X 12" Fixed Mount Lay Out Example:



Procedure to calculate # of Horizontal Bars

Opening height is 39" *Divide opening height with 12*. Because standard space between two horizontal bars is 12" for 9" X 12" type Bars. (i.e.: $39/12 = 3.25$)
 3 is whole number so there will be 3 horizontal bars.

Find the distance from the First Horizontal bar to the Bottom of Frame.

- Vertical bars are 1" less than the opening height for allowance of installation. So the vertical bars are at a height of 38".
- 3 horizontal bars will create a total of 4 spaces **between top and bottom of window frame** as shown above.
- 3 horizontal bars will create 2 spaces **between the Top and Bottom Horizontal Bars**. That will be a 12" standard space, therefore two spaces multiply by Twelve inches ($2 \times 12" = 24"$). *Space will occupy between 3 Horizontal Bars*. (So the remaining space is 38" (vertical bars height) - $24" = 14$ Inches.)
 Now that 14 Inches are left for the remaining two notch spaces, space between the top horizontal bar and top frame of the window (1st Space) and space between the bottom bar and bottom window frame. (2nd Space) So *Divide Available remaining Height by 2*. (i.e. $14 / 2 = 7"$)
- There will be 7" space required from the bottom frame of window to center of the first the Horizontal Bar. *Find out this measurement for your opening height and mark this measurement on your window frame*. Now, the distance between the top bar and top of the window frame will be 8". Why? The 7" space from above the number and 1" we have deducted an amount for the allowance of fixed bars to install. Makes a total of 8"

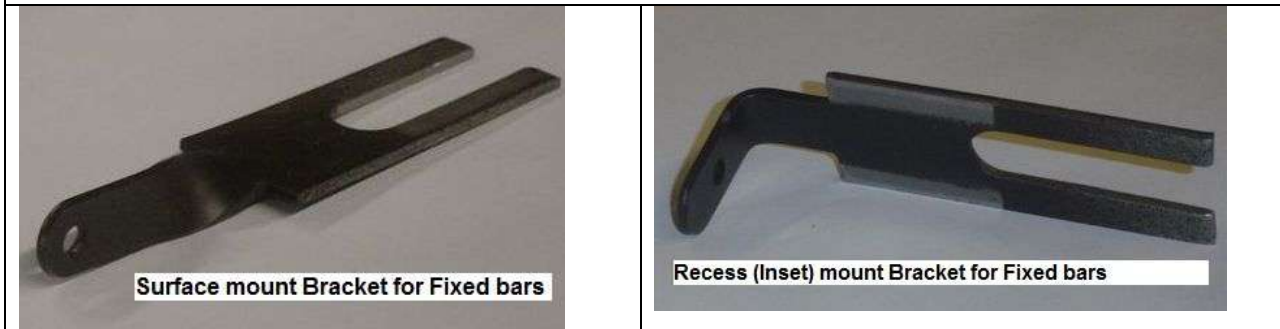
Important: This Lay out Example is for Guidance purpose only. Use your Opening Size to find out Space between bottom horizontal bar and bottom of window frame.

9" X 12" FIXED TYPE ALUMINUM WINDOW BARS INSTALLATION INSTRUCTIONS

WINDOW BARS COMMON PARTS



ADDITIONAL PARTS FOR FIXED MOUNT



9" X 12" FIXED TYPE ALUMINUM WINDOW BARS INSTALLATION INSTRUCTIONS

ASSEMBLY- INSTALLATION GUIDE



Do a Window Bar Lay Out on paper. Take Guidance from the lay out example shown above. Once you have lay out ready Transfer/ Mark measurement to Window Frame. This will help you to determine where the first horizontal bars needs to install






Prepare Horizontal Bars: Insert Clips underneath of each horizontal bar and place the near all holes.



Insert Mounting Bracket into first Horizontal Bar on Both sides.
Surface mount bracket OR Recess Mount Bracket as per your Order

9" X 12" FIXED TYPE ALUMINUM WINDOW BARS INSTALLATION INSTRUCTIONS

 <p>Assembly Keys Joining Vertical and Horizontal Bars</p>		<p>Install First Horizontal bar at distance according to your lay out. After, You have Installed first horizontal bars Drop Vertical Bars into holes of Horizontal Bars. Do not set Assembly Keys (clips) underneath of Horizontal Bars at this time.</p>
		<p>Now Slide remaining horizontal Bars Install horizontal bars at 12" distance .</p>
		<p>Set Assembly Keys, Making sure to have a 1" Space at Top for Fixed Bars</p>
		<p>Verify, you have Distance between two horizontal bars is 12" and Distance between top of vertical bar and frame is 1" .</p>

9" X 12" FIXED TYPE ALUMINUM WINDOW BARS INSTALLATION INSTRUCTIONS

Short Version Installation Instructions

FIXED MOUNT INSTALLATION INSTRUCTIONS

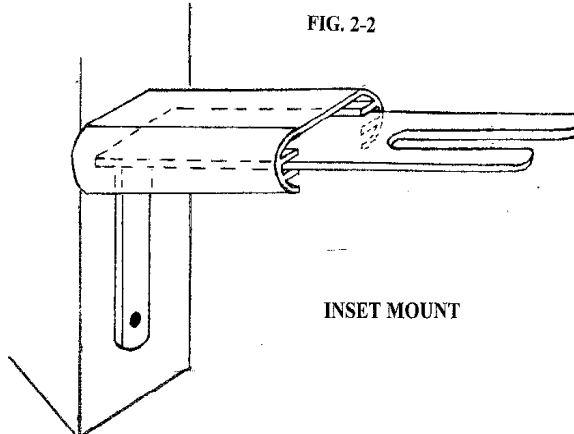
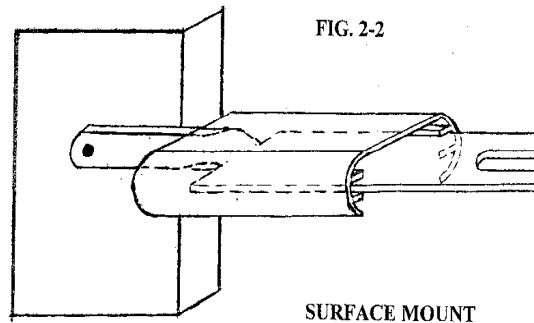
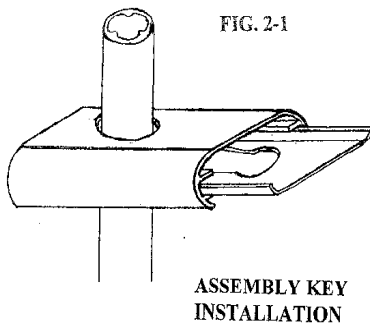
First make certain you have the correct kit for the window you are to install.

Measure the window vertical height and subtract 12" x number of horizontals less 1. Divide by 2, this will give you bottom bar position. All bars above will be 12" above next lower bar leaving an equal space at top.

Next take horizontal bars and slide one assembly key adjacent to each vertical bar opening (Fig. 2-1). Slide one straight fork into each end of horizontal.

Place lowest horizontal in position and drive self drilling screw through hole in fork at bottom mark, (Fig. 2-2). (Mounting surface other than hollow aluminum may require different screws not supplied). Before fixing second side make sure you have enough space to put verticals in bottom bar. (Low ceiling may be an obstruction and require verticals to be placed in position before fixing second side). Position remaining horizontals over verticals and drop into place. Check to make sure there is an assembly key at each vertical. (They may slip out of place during handling). Fix all horizontals in place.

Using the vice grip clamping tool, securely press assembly keys all the way onto vertical bars. Installation is complete.



Note: For 9" horizontal bar spacing, use 9" in formula above. Not 12"

Important: The Lay out Example and Installation Instructions is for Guidance purpose only. Use your Opening Size to find out Space between bottom horizontal bar and bottom of window frame with help from lay out Instructions.