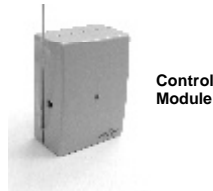


Skylink® Control Module

Model SW-100

1. INTRODUCTION

Control Module Model SW-100 is a wireless transceiver. It can receive signal from the AAA+™ control panel, and other transmitters to turn on / off the plugged in device. Once the plugged in device is activated, SW-100 will send a confirmation signal back to AAA+™ control panel.



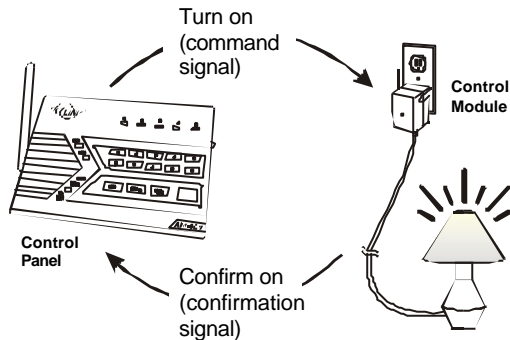
Please follow the instructions below to set up the control module.

2. PROGRAM THE CONTROL MODULE TO THE AAA+™ CONTROL PANEL

Both control panel and control module are transceivers, meaning they can transmit and receive signals from each other. For home automation, the user will initiate an action from the control panel, such as sending a signal to turn on the light, then the control module will receive such signal and respond. The control module will then send back a confirmation to the control panel to indicate the light has been turned on.

Therefore, during programming, it is required to program 2 things:

1. Signal from control module to control panel (confirmation signal)
2. Signal from control panel to control module (command signal)



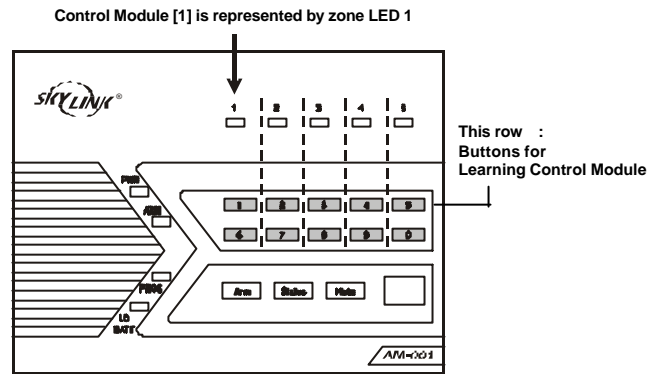
Part 1 Learn signal from Control Module to Control Panel

Step	Keys	Function	Description	Note
1	[PROG] [MPIN]	Enter Programming mode	Enter master password to programming mode	3 beeps for valid password. 1 long beep for invalid password.
2	[4]	Select learn control module programming		After [4] is entered, some zone LEDs will flash or stay off. The zone LEDs represent whether that zone is already occupied by another control module. **See Table A.
3	[1] to [5]	Select control module location (Max. 5 control modules)	Select the location [1], [2], [3], [4], or [5].	After you have selected the control module location, that zone LED will be on.
4	Activate the control module by pressing its learn button once quickly.	Send signal from control module to control panel.	Once the signal is transmitted to the Control Panel, that signal will be stored.	You will hear [Device X Accepted], where "X" is the control module location.

2. PROGRAM THE CONTROL MODULE TO THE AAA+™ CONTROL PANEL (CONT)

ZONE LED	DESCRIPTION
Off	Zone is not occupied by any control module
Flashes once	This zone is occupied by another control module. Programming another remote to this zone will overwrite the previous control module.
Flashes twice	This zone is occupied by a remote. You can still program a control module to this zone, and it will not overwrite the remote you have in this zone.
Flashes once, then twice	This zone is occupied by a remote AND a control module. If you program another control module to this zone, it will overwrite the previous control module, but not the remote.

** Table A: Zone LED status for learning control module.



Part 2 Learn signal from Control Panel to Control Module

Step	Keys	Function	Description	Note
1	Press and hold the learn button on the Control Module until its LED starts to flash.	Enter Programming mode		LED on the Control Module will flash indicating it is in learn mode.
2	[6] to [0]	Transmit an ON signal for the selected device from the Control Panel to the Control Module.	Refer to the chart below to determine which button [6] to [0] to press. You should transmit the "ON" command for the selected device.	After [X] is entered, you will hear [Device X On] indicating you have transmitted an ON signal for device X, where X is the Control Module Location. The LED on the Control Module should be off, indicating it has learned the signal, you may now release the learn button and the LED will stay on again.

CONTROL MODULE LOCATION	TRANSMIT BUTTON [X]
1	6
2	7
3	8
4	9
5	0

3. OPERATION

To turn off a light with the control panel:

1. Press the device number button on the control panel, i.e. pressing 1 will turn off device 1, pressing 2 will turn off device 2.
2. You will hear **[Device X Off]**, where X is the device number.
3. You will also see the PROG LED flashing, indicating the control panel is sending out the wireless signal to control the specific device.
4. If the receiver receives the signal, the control panel will announce **[Device Off Accepted]**.

To turn on a light with the control panel:

1. Press the number below the device number that you would like to turn on, i.e. pressing 6 will turn on device 1, pressing 7 will turn on device 2.
2. You will hear **[Device X On]**, where X is the device number.
3. You will also see the PROG LED flashing, indicating the control panel is sending out the wireless signal to control the specific device.
4. If the receiver receives the signal, the control panel will announce **[Device On Accepted]**.

4. ERASE CONTROL MODULES

To erase a control module from the control panel, please refer to the AAA+™ User's Instructions.

5. CAUTION

RISK OF ELECTRICAL SHOCK. FOR INDOOR USE ONLY.

CAUTION : NOT FOR USE WITH DIMMER.

DISCONNECT POWER BEFORE CODE SETTING.

REPLACE COVER AFTER CODE CHANGING.

Maximum Rating :

Input : 120VAC 60Hz

Resistive load : 8A (960W)

Incandescent : 300 watts

Motor Load : 1/3 HP

6. OTHER AAA+™ ACCESSORIES

The AAA+™ control panel can work with different accessories include: Garage door monitor™ sensor, Indoor/outdoor motion sensor, Audio sensor, Remote control, Audio Alarm, etc. Please visit www.skylinkhome.com or contact us at support@skylinkhome.com for more information of how to fully utilize your AAA+™ control panel.

7. FCC

This device complies with Part 15 of the FCC Rules. Operation is subject to the following two conditions: (1) This device may not cause harmful interference, and (2) This device must accept any interference received, including interference that may cause undesired operation.

WARNING:

Changes or modifications to this unit not expressly approved by the party responsible for compliance could void the user's authority to operate the equipment.

NOTE:

This equipment has been tested and found to comply with the limits for a Class B digital device, pursuant to Part 15 of the FCC Rules. These limits are designed to provide reasonable protection against harmful interference in a residential installation. This equipment generates, uses and can radiate radio frequency energy and, if not installed and used in accordance with the instructions, may cause harmful interference to radio communications.

However, there is no guarantee that interference will not occur in a particular installation. If this equipment does cause harmful interference to radio or television reception, which can be determined by turning the equipment off and on, the user is encouraged to try to correct the interference by one or more of the following measures:

- Reorient or relocate the receiving antenna.
- Increase the separation between the equipment and receiver.
- Connect the equipment into an outlet on a circuit different from that to which the receiver is connected.
- Consult the dealer or an experienced radio/TV technician for help.

8. WARRANTY

If, within one year from date of purchase, this product should become defective (except battery), due to faulty workmanship or materials, it will be repaired or replaced, without charge. Proof of purchase and a Return Authorization are required.

9. CUSTOMER SERVICE

If you would like to order Skylink's products or have difficulty getting them to work, please :

1. visit our FAQ section at www.skylinkhome.com, or
2. email us at support@skylinkhome.com, or
3. call our toll free at 1-800-304-1187 from Monday to Friday, 9 am to 5 pm EST.
Fax (800) 286-1320



LISTED
E218064

Remote Control 9HX9



CUSTOMER SERVICE

17 Sheard Avenue, Brampton, Ontario, Canada L6Y 1J3

Email: support@skylinkhome.com

<http://www.skylinkhome.com>

P/N. 101A356

©2005 SKYLINK GROUP