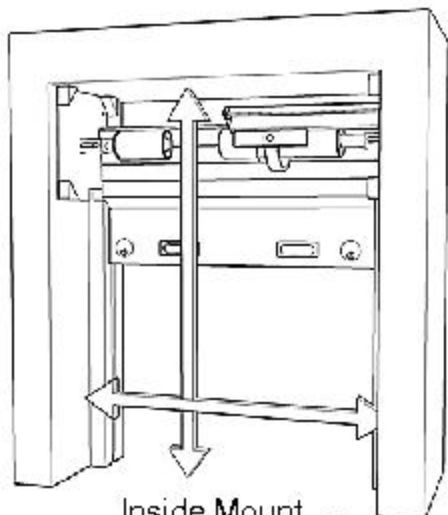


# Wood Roll-Up Door Worksheet

Phone: 1-877-8746321  
Fax : 1-877-874-6564

Customer Name \_\_\_\_\_ Company Name: \_\_\_\_\_  
Full Address: \_\_\_\_\_ Phone: \_\_\_\_\_ FAX \_\_\_\_\_  
Email: \_\_\_\_\_

Dealer: Vrinda Inc, Phone: 1-877-874-6321, Fax: 1-877-874-6564 Date: \_\_\_\_\_  
Project: \_\_\_\_\_ Contact: Sales Department



Inside Mount Under Lintel

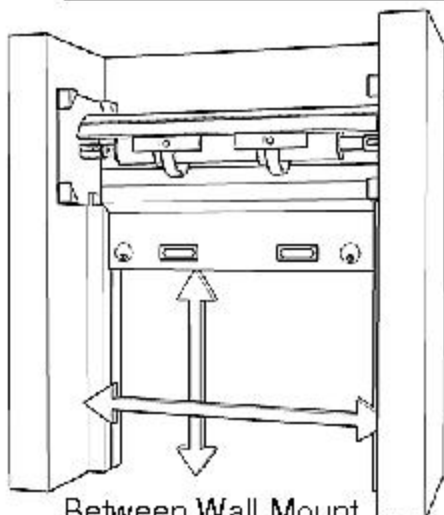
Manual  Crank  Left  Right   
Motor  Left  Right

Hood  No Hood   
Fascia  No Fascia

Slide Bolts   
Thumb Turns   
Keylocks (5-pin Weiser)   
or (7-pin Best)

Wood Species: Cherry  Mahogany  Maple  Birch  Red Oak  Other (specify) \_\_\_\_\_

Qty	Width	Height
Qty	Width	Height

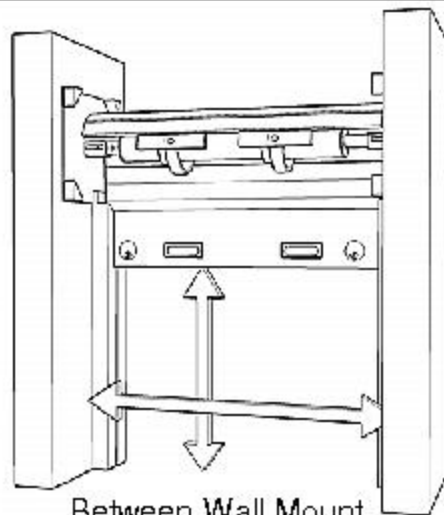


Between Wall Mount on Face of Lintel

Manual  Crank  Left  Right   
Motor  Left  Right

Hood  No Hood   
*Fascia not available with this mount*

Slide Bolts   
Thumb Turns   
Keylocks (5-pin Weiser)   
or (7-pin Best)

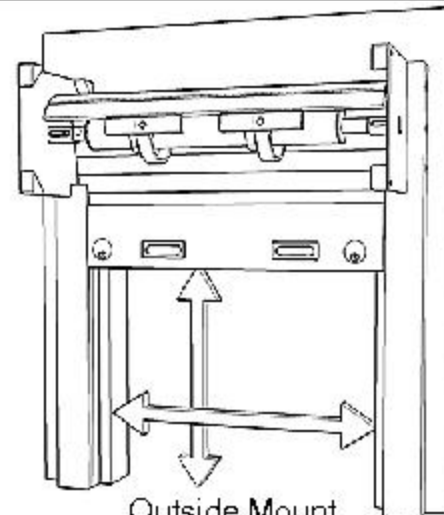


Between Wall Mount Without Lintel

Manual  Crank  Left  Right   
Motor  Left  Right

Hood  No Hood   
Fascia  No Fascia

Slide Bolts   
Thumb Turns   
Keylocks (5-pin Weiser)   
or (7-pin Best)



Outside Mount on Face of Wall

Manual  Crank  Left  Right   
Motor  Left  Right

Hood  No Hood   
*Fascia not available with this mount*

Slide Bolts   
Thumb Turns   
Keylocks (5-pin Weiser)   
or (7-pin Best)

Unfinished   
Clear Finish   
Custom Stain/Paint

Notes:

Use FSC Certified material, if available