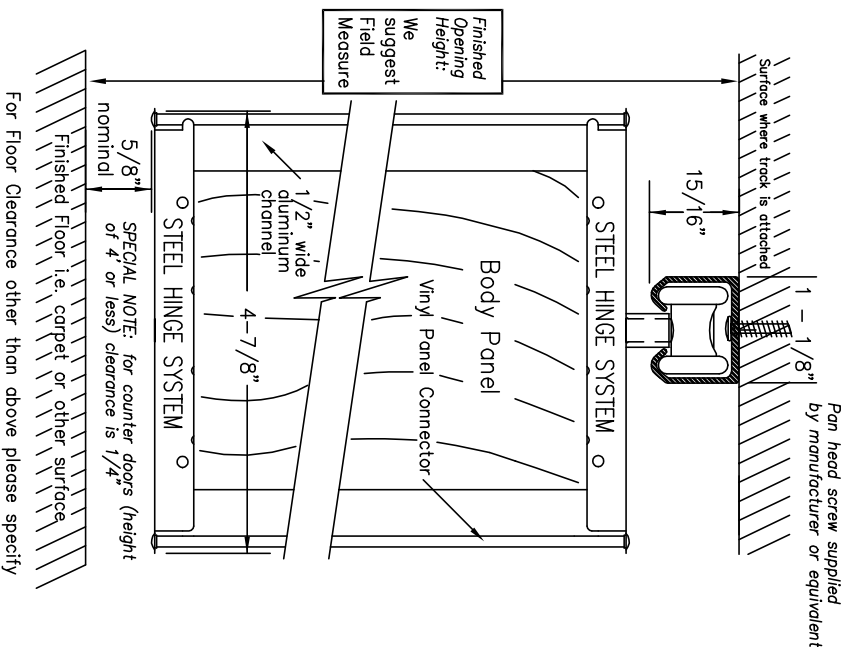
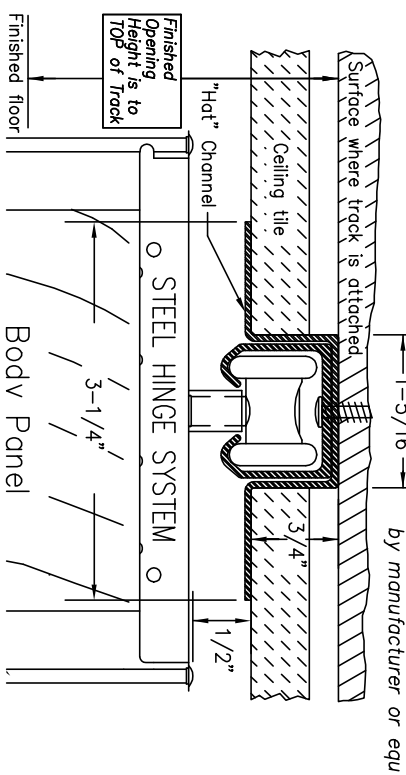


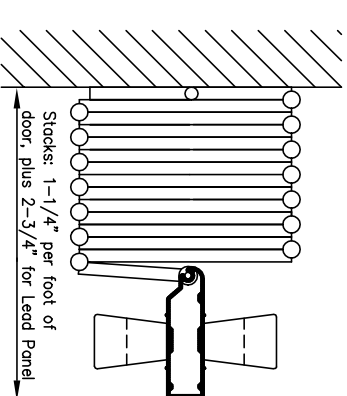
Surface Track



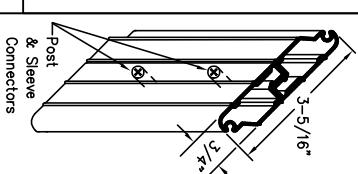
Recessed Track



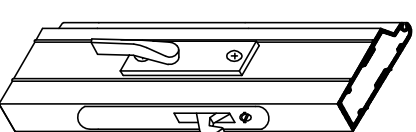
Stack Dimensions



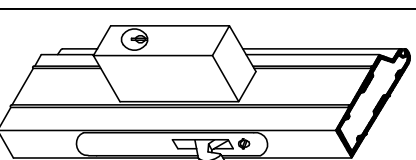
Intermediate Rolling Post



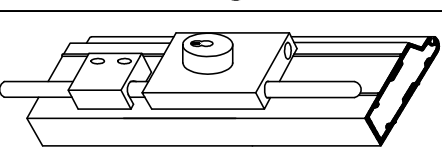
Privacy Latch



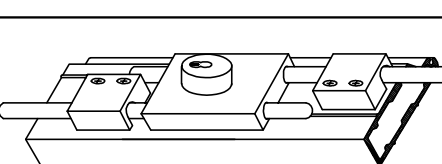
Keylock



Single Cremone Bolt Keylock



Double Cremone Bolt Key Lock



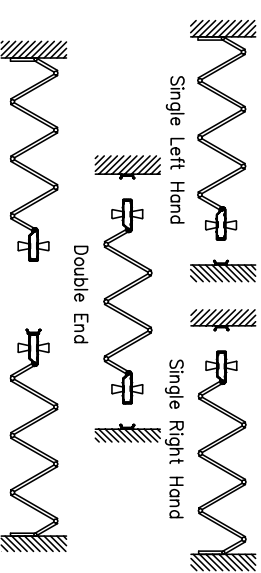
INFORMATION

Width Custom made to any width
 Height Custom made to 10' -1"
 Panels Acrylic, natural hardwood or vinyl-lam
 Side Channel Aluminum: White, Brown, Sand or Clear
 Panel Connector Extruded Vinyl: White, Brown, Sand or Clear
 Coordinated with side channel
 Hinge System Steel: Dark Bronze or Clear
 Ball bearing nylon wheels on steel axles
 Wheels Aluminum (straight or curved):
 Track Dark Bronze or Clear
 Recessed Channel/ "Hot" Channel Aluminum (straight only): White
 Lead, Intermediate and Jamb Aluminum: White, Brown, Sand or Clear
 Coordinated with Side Channel
 Latch Deadlatch with thumb turn two sides
 Header Construction Details by Others
 Door Weight Average Weight
 6-8" 10lbs. Per lined foot
 8-1" 12lbs. Per lined foot
 10'-1" 15lbs. Per lined foot
 12'-1" 18lbs. Per lined foot

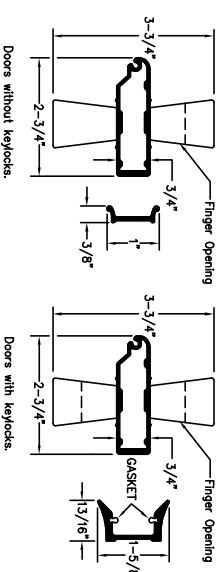
Catch/Lock Options

Magnet Privacy Latch
 Springlatch
 Keylock 1 Side
 Keylock 2 Side
 Single Cremone
 Double Cremone
 Footbolts
 Other Keyed Options
 Magnet with strike plate
 Deadlatch with thumb turn one side
 Springlatch with thumb turn two sides
 Deadlatch with thumb turn one side, keylock one side
 Deadlatch with keylock two sides
 Single cremone bolt with keylock
 Double cremone bolt with keylock
 Locking or non locking
 Keyed alike, custom keyed, construction core
 Contact manufacture for more details

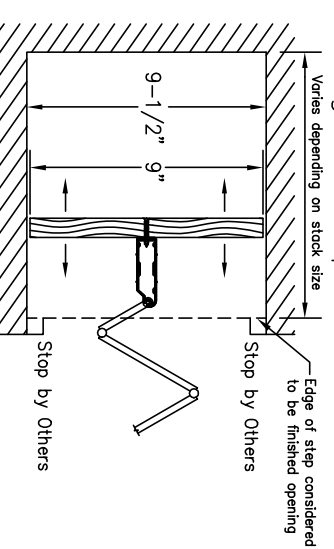
Door Types



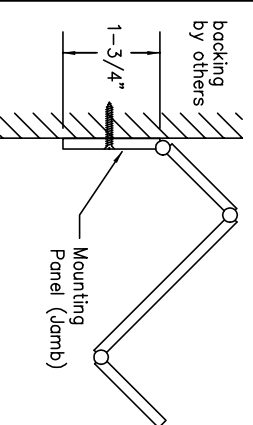
Lead Post, Jamb Mouldings & Handle



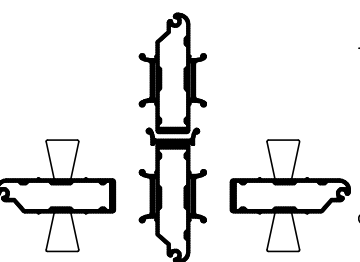
Sliding Jamb Option



Mounting Panel



Multiple Meeting Option



See Woodfold Accordion Door brochure for additional details

THESE SPECIFICATIONS ARE SUBJECT TO CHANGE WITHOUT NOTICE

Qty.	Single/Pair	Single End/Double End	Left or Right Stack	Width X Height	Finish/Color	Comments

Architects Acceptance
 By: _____
 Date: _____

THESE SPECIFICATIONS ARE SUBJECT TO CHANGE WITHOUT NOTICE

Woodfold-Marco Mfg. Inc.
 P.O. Box 346 Forest Grove, OR. 97116
 http://www.woodfold.com

Phone: 503-357-7181
 Fax: 503-357-7185
 440 SD 3/00