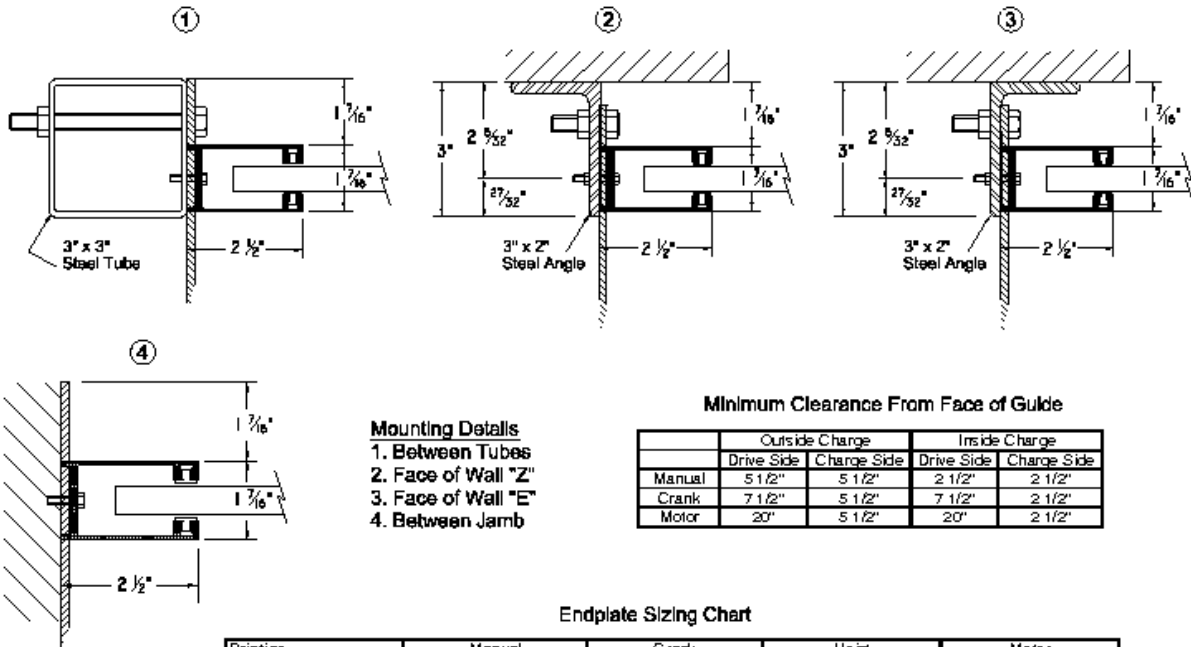
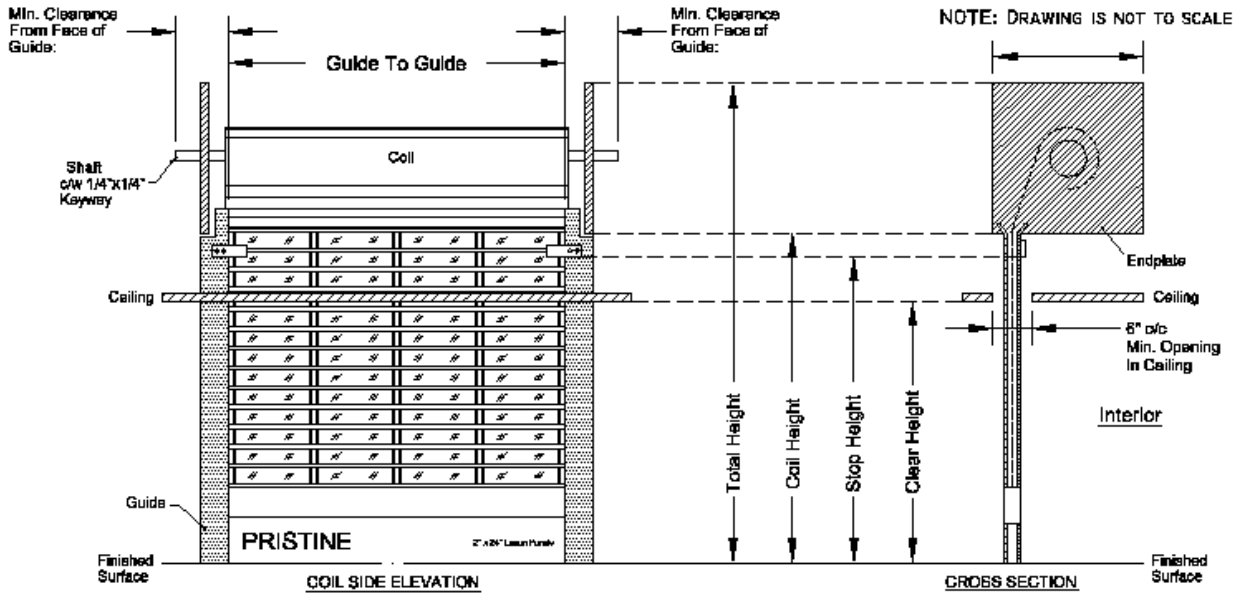


Rolling Grille- Pristine



Endplate Sizing Chart

Pristine Clear Height	Tube	Manual		Crank		Hoist		Motor	
		Charge Out	Charge In	Charge Out	Charge In	Charge Out	Charge In	Charge Out	Charge In
20"-6'6"	3x3	15"	12"	15"	15"	17"	17"	17"	17"
	4x4	15"	12"	15"	15"	17"	17"	17"	17"
6'7"-12'0"	3x3	15"	15"	15"	15"	17"	17"	17"	17"
	4x4	15"	15"	15"	15"	17"	17"	17"	17"
12'1"-16'0"	3x3	17"	17"	17"	17"	17"	17"	17"	17"
	4x4	17"	17"	17"	17"	17"	17"	17"	17"
16'+	3x3	19"+	19"+	19"+	19"+	19"+	19"+	19"+	19"+
	4x4	19"+	19"+	19"+	19"+	19"+	19"+	19"+	19"+

* FOR TUBE MOUNT ONLY. If headroom is limited, 12" endplates can be used if the outside charge wheel is replaced by an inside charge wheel used in an outside charge application. If not mounted on tubes, use 12" endplates. *Consult factory if headroom is critical or for sizes not listed.*