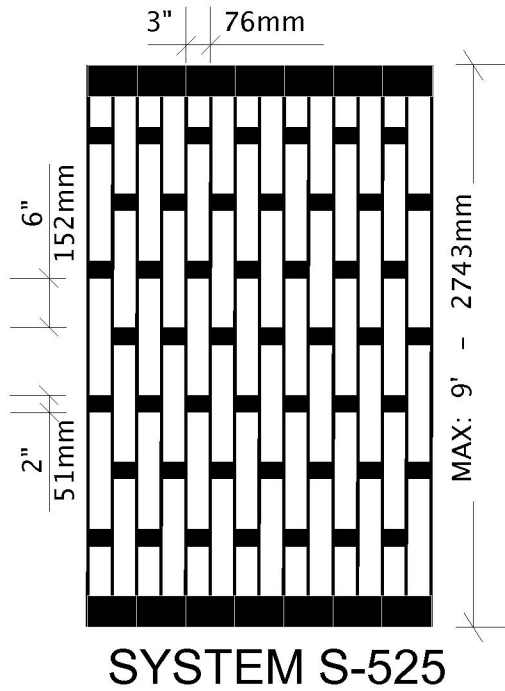


BY:

ALL DIMENSIONS MUST BE VERIFIED BEFORE FABRICATION.

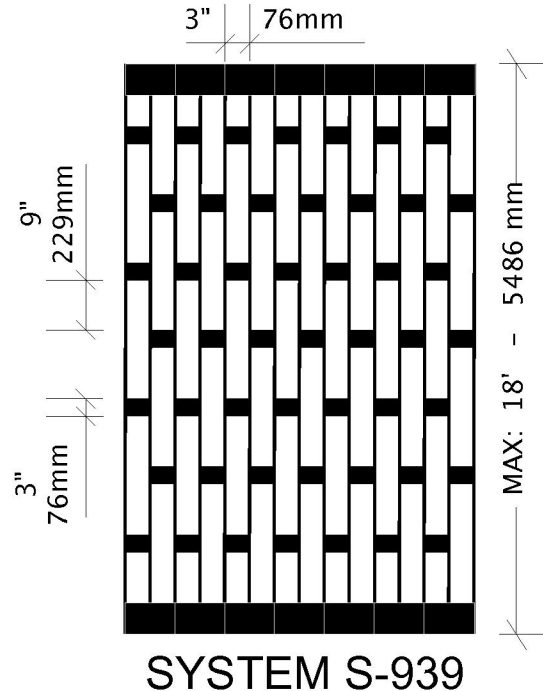
NOT TO SCALE

INTERIOR SIDE



SYSTEM S-525

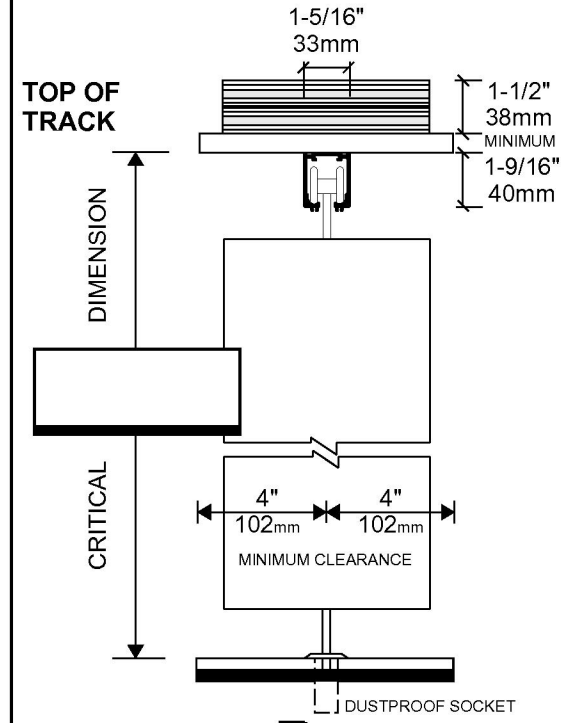
For Height :Upto 9'



SYSTEM S-939

For Height :9' to 18'

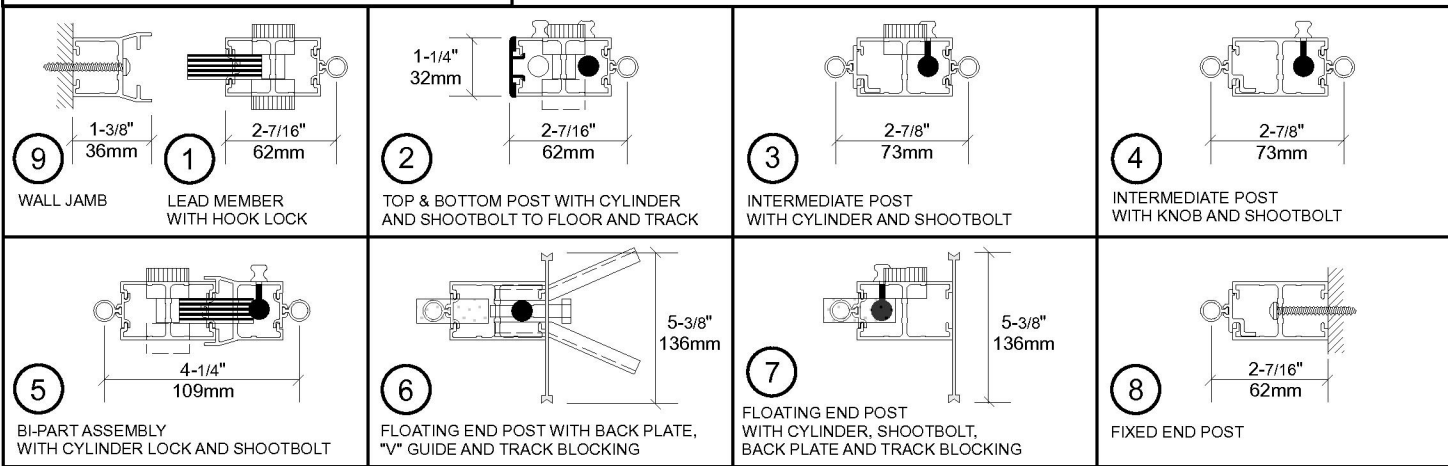
WOOD SUPPORT BUILT BY GENERAL CONTRACTOR. MINIMUM WEIGHT CAPACITY OF 3 LB/SQ.FT OF GRILLE (15 KG/SQ.M.)



FINISHED FLOOR COUNTER **VERTICAL SECTION**

EXTERIOR SIDE

PLAN VIEW



CUSTOMER: _____
 PROJECT: _____
 LOCATION: _____
 CITY: _____
 MODEL: _____
 FINISH: _____
 DATE: April 19 2013 NO: _____

VRINDA INC.
www.GlassEssential.com
 Phone: 1-877-874-6321
 Fax: 1-888-335-2104
 Email: info@GlassEssential.com