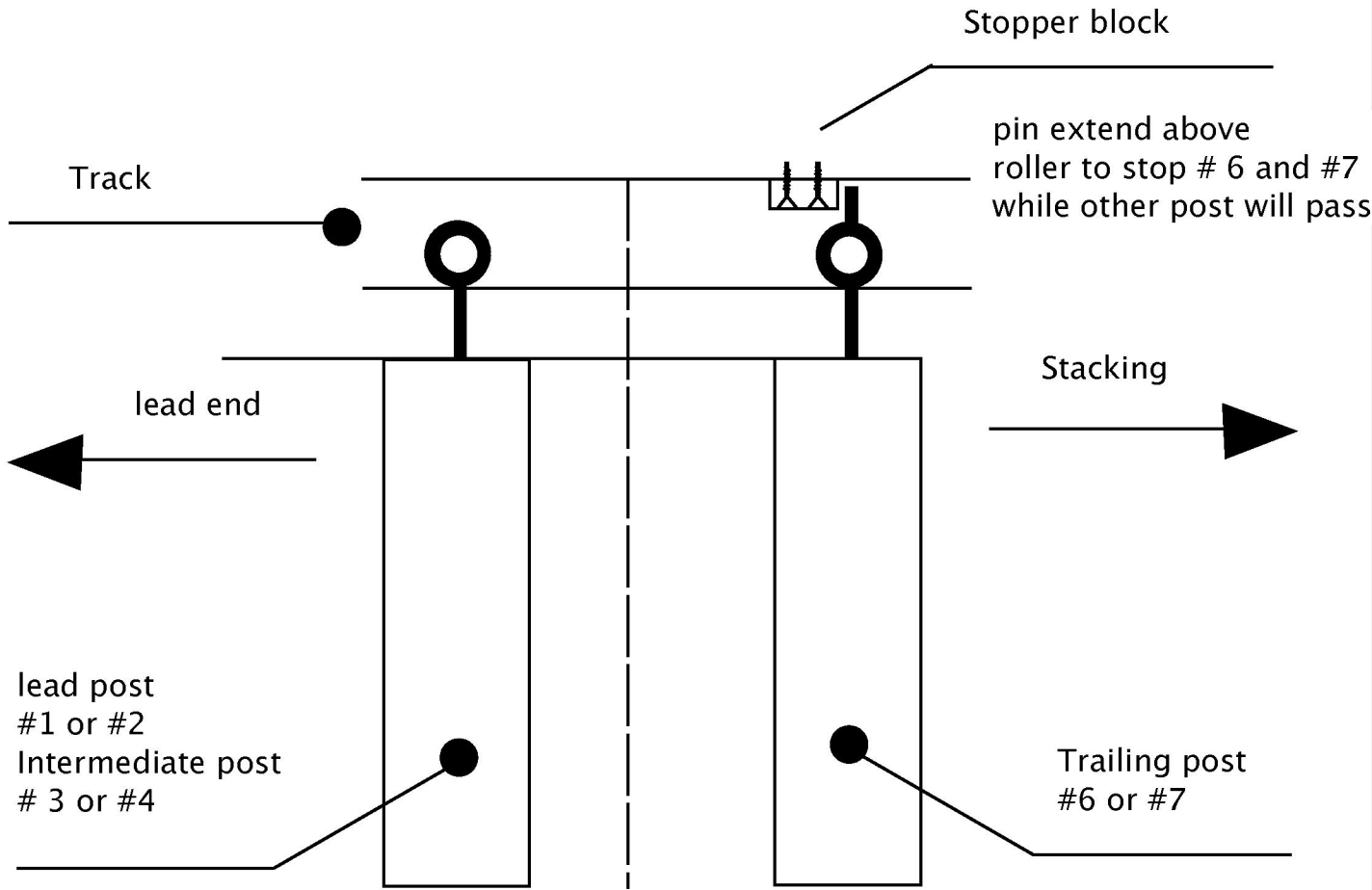


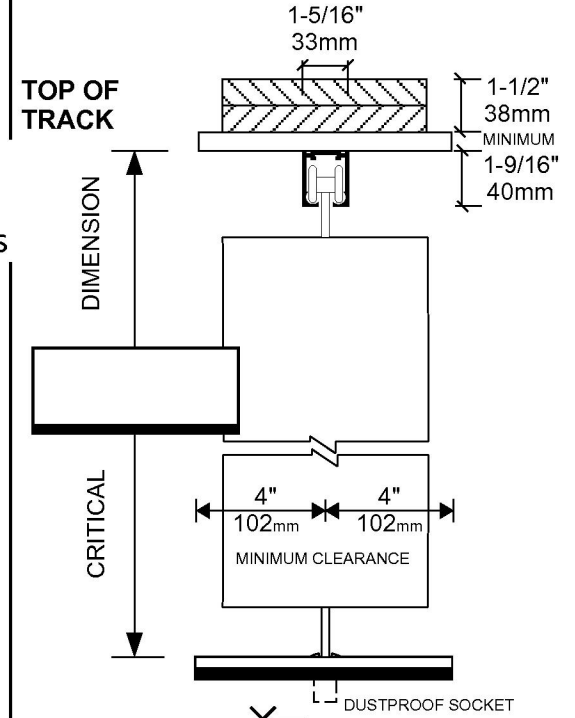
ALL DIMENSIONS MUST BE VERIFIED BEFORE FABRICATION.

NOT TO SCALE

INTERIOR SIDE



WOOD SUPPORT BUILT BY GENERAL CONTRACTOR. MINIMUM WEIGHT CAPACITY OF 3 LBS/SQ.FT OF GRILLE (15KG/SQ.M.)



FINISHED FLOOR VERTICAL SECTION
COUNTER

CUSTOMER: _____
 PROJECT: _____
 LOCATION: _____
 CITY: _____
 MODEL: _____
 FINISH: _____
 DATE: _____ NO: _____

EXTERIOR SIDE

PLAN VIEW

<p>9 WALL JAMB</p>	<p>1 LEAD MEMBER WITH HOOK LOCK</p>	<p>2 TOP & BOTTOM POST WITH CYLINDER AND SHOOTBOLT TO FLOOR AND TRACK</p>
<p>3 BI-PART ASSEMBLY WITH CYLINDER LOCK AND SHOOTBOLT</p>	<p>4 FLOATING END POST WITH BACK PLATE, "V" GUIDE AND TRACK BLOCKING</p>	<p>5 FIXED END POST</p>

VRINDA INC.
www.FoldingSecurityGate.com
 Phone: 1-877-874-6321
 Fax: 1-877-874-6564