

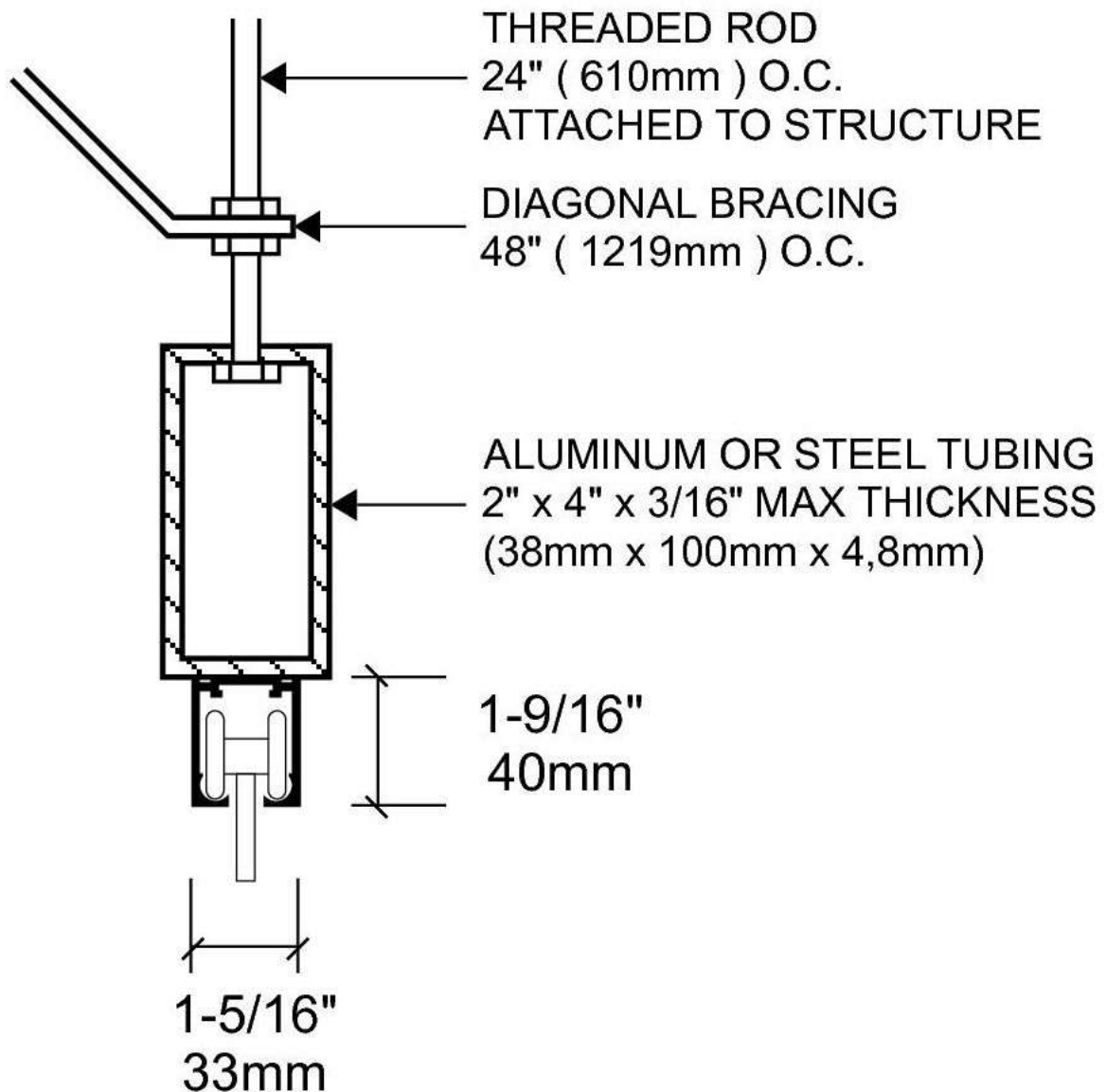


SLIDING GRILLE

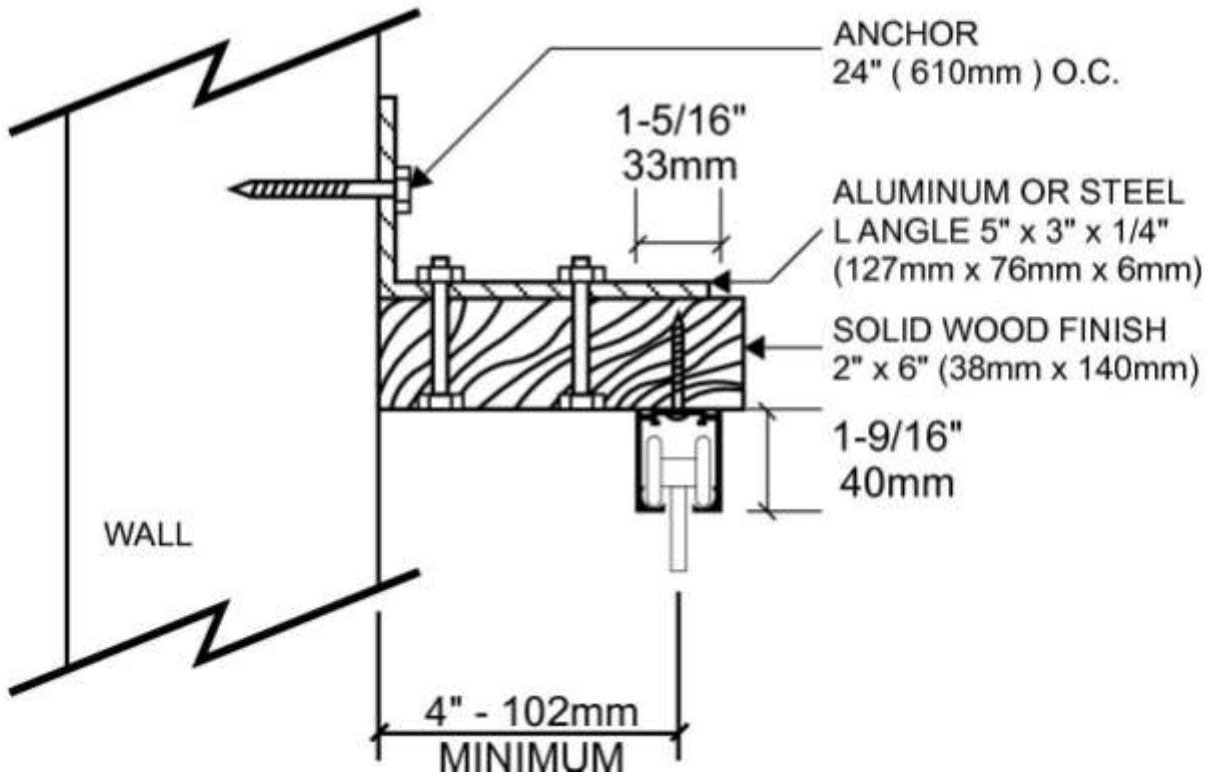
SUPPORT STRUCTURE

POSSIBILITIES

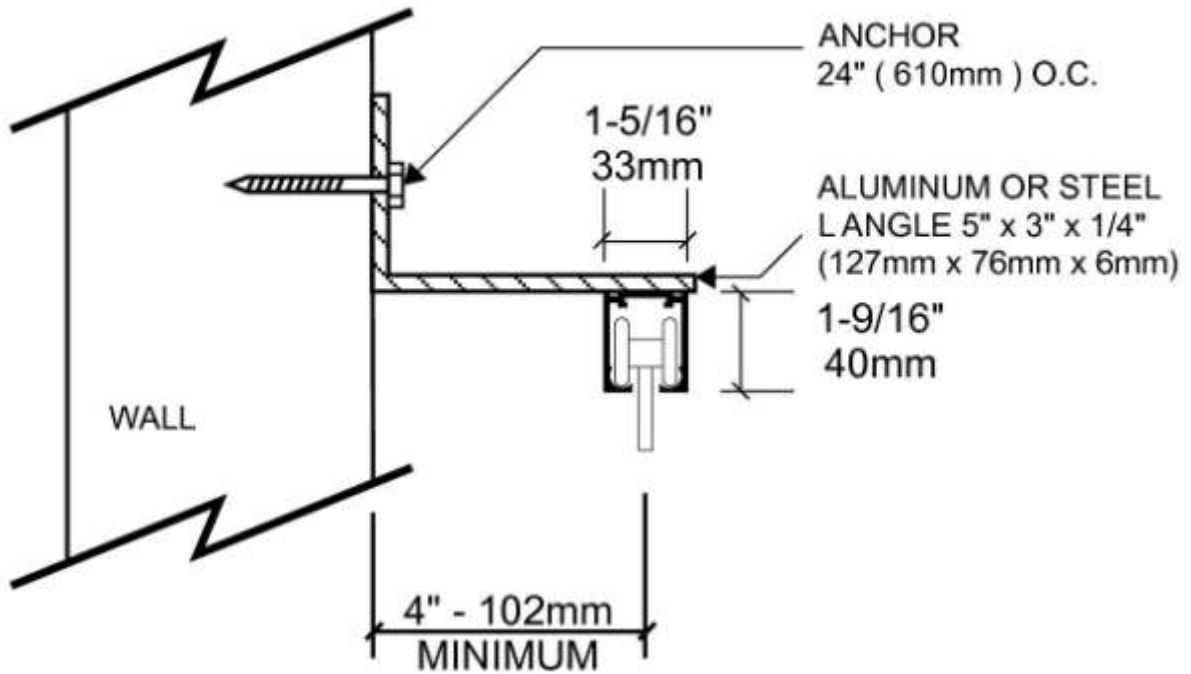
RECTANGULAR TUBING SUPPORT ALUMINUM OR STEEL



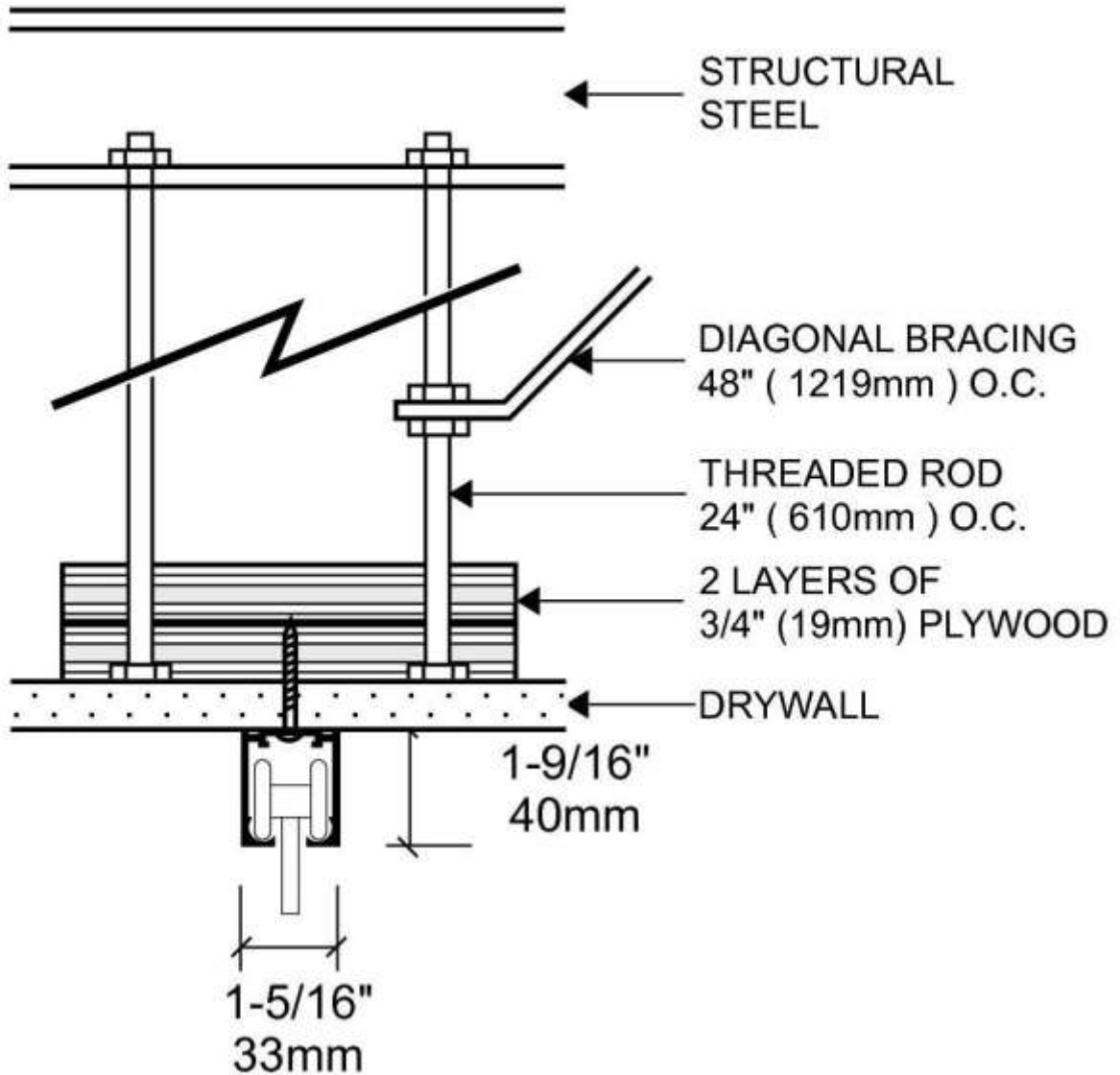
5" X 3" ANGLE SUPPORT AND WOOD, FACE TO WALL MOUNT



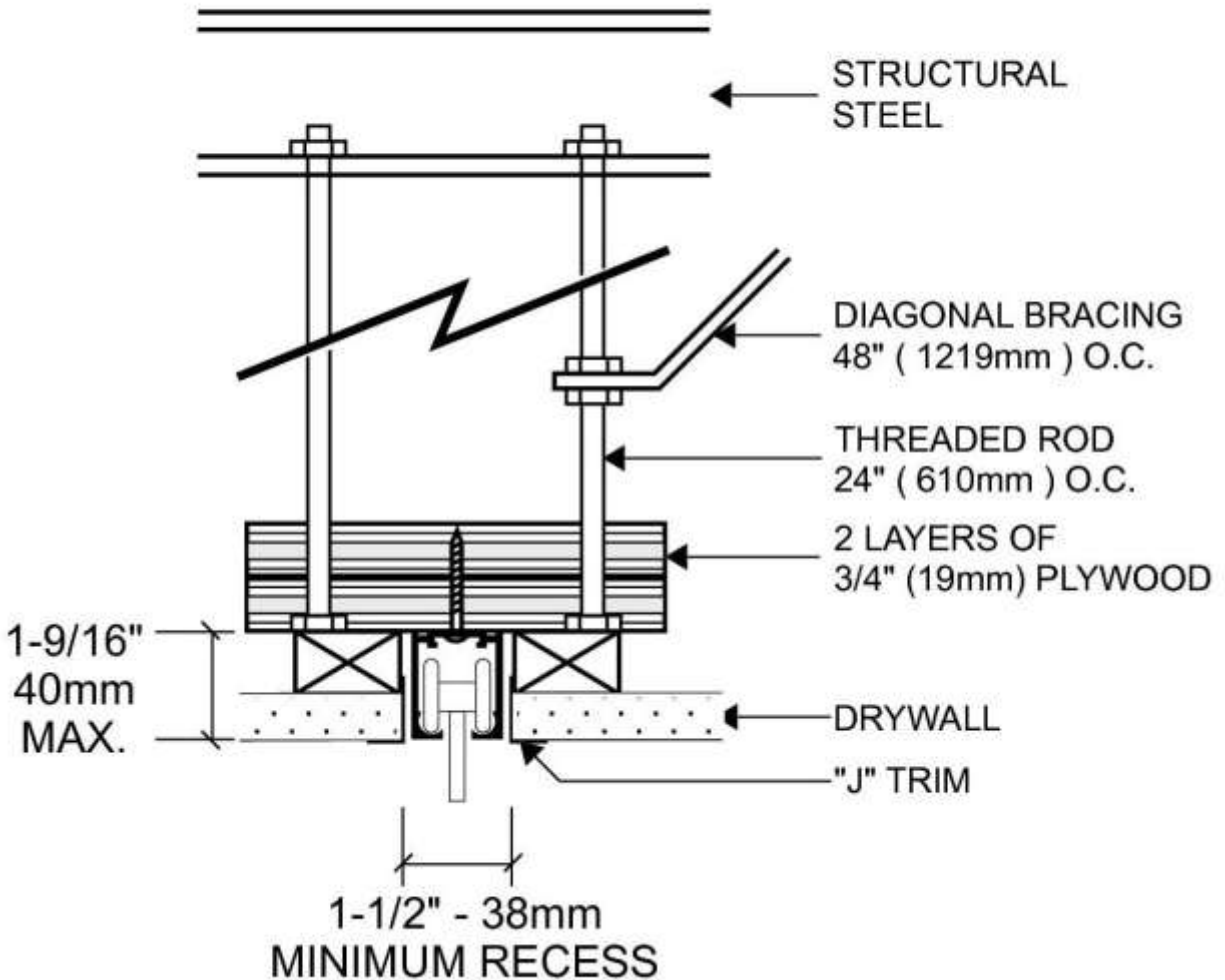
ANGLE SUPPORT, FACE TO WALL MOUNT



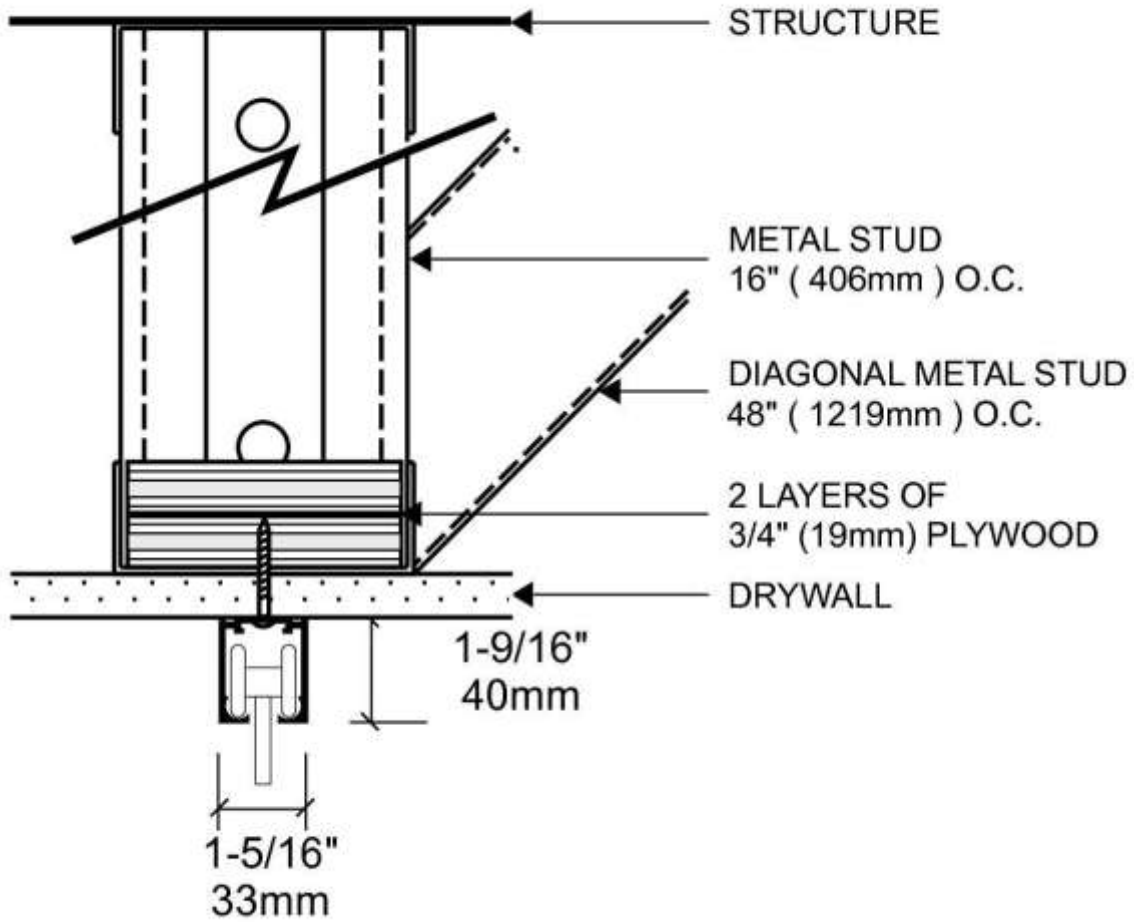
THREADED ROD AND WOOD SUPPORT, SURFACE MOUNTED TRACK



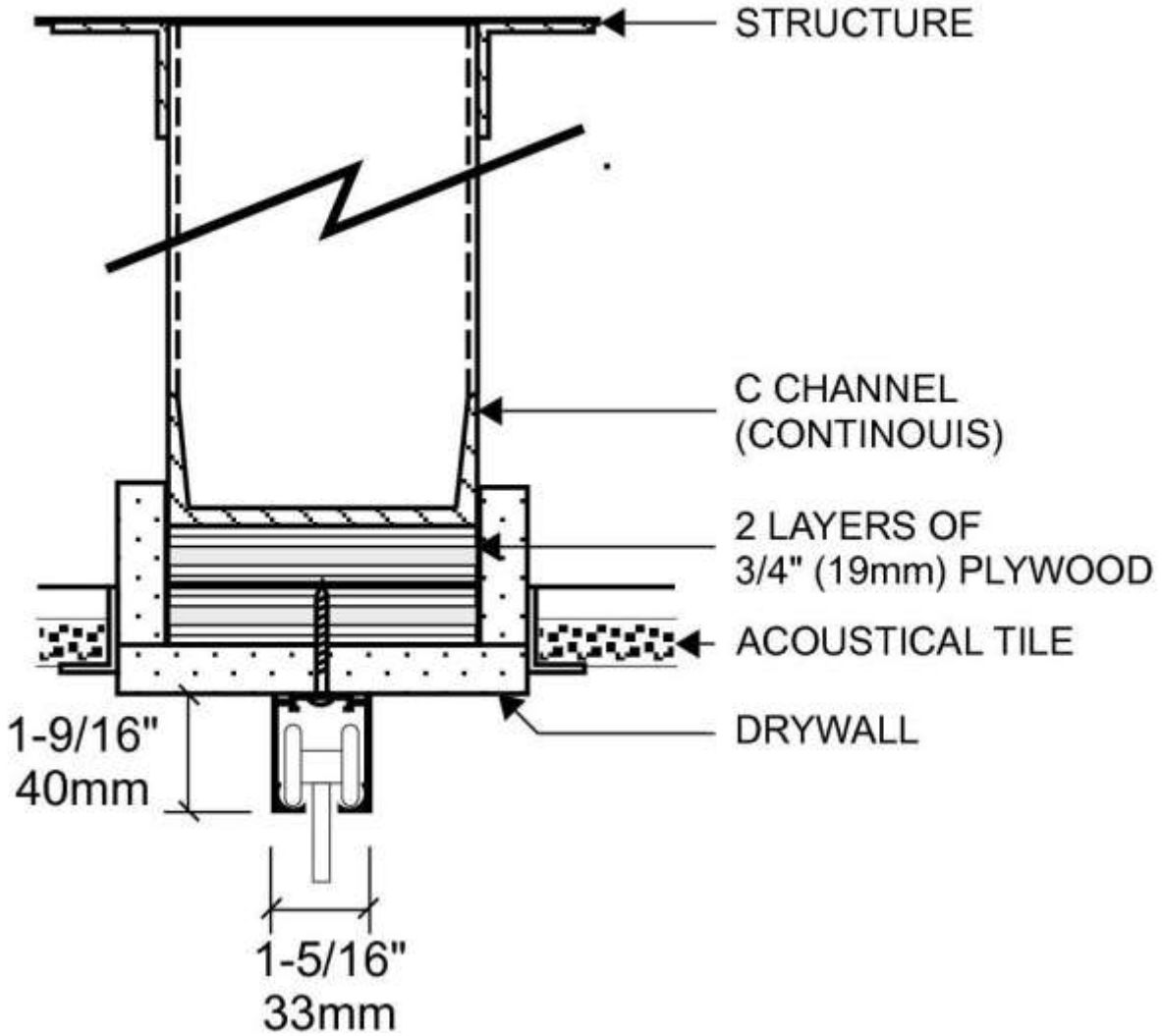
THREADED ROD AND WOOD SUPPORT, RECESSED TRACK



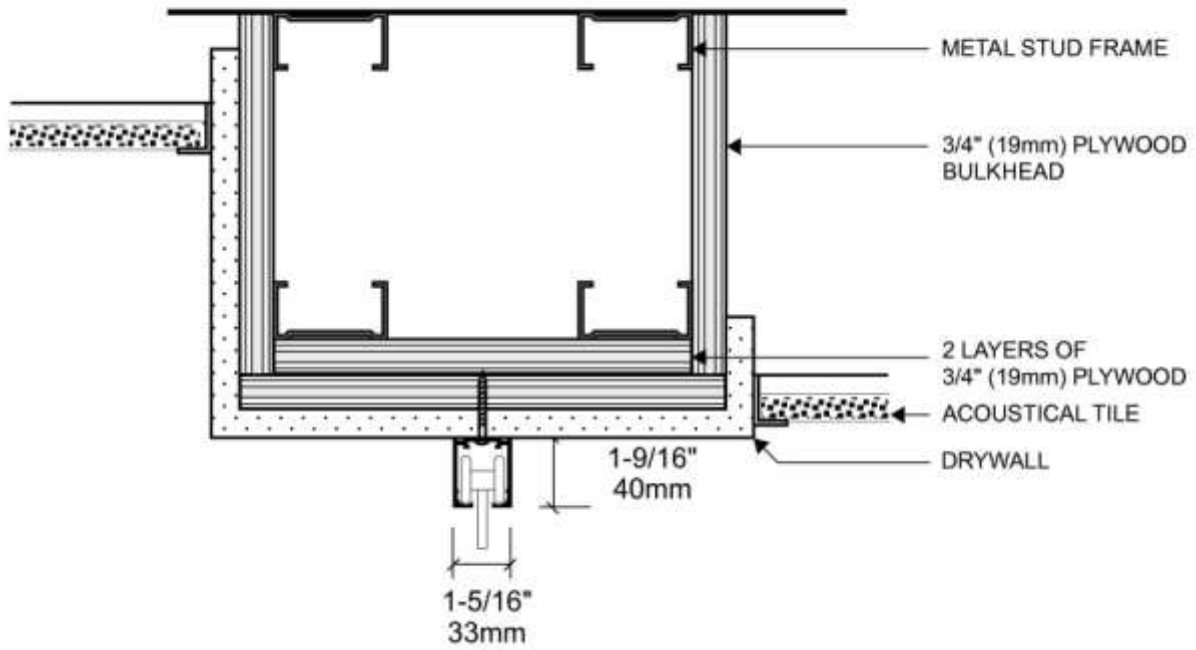
STEEL STUD AND WOOD SUPPORT



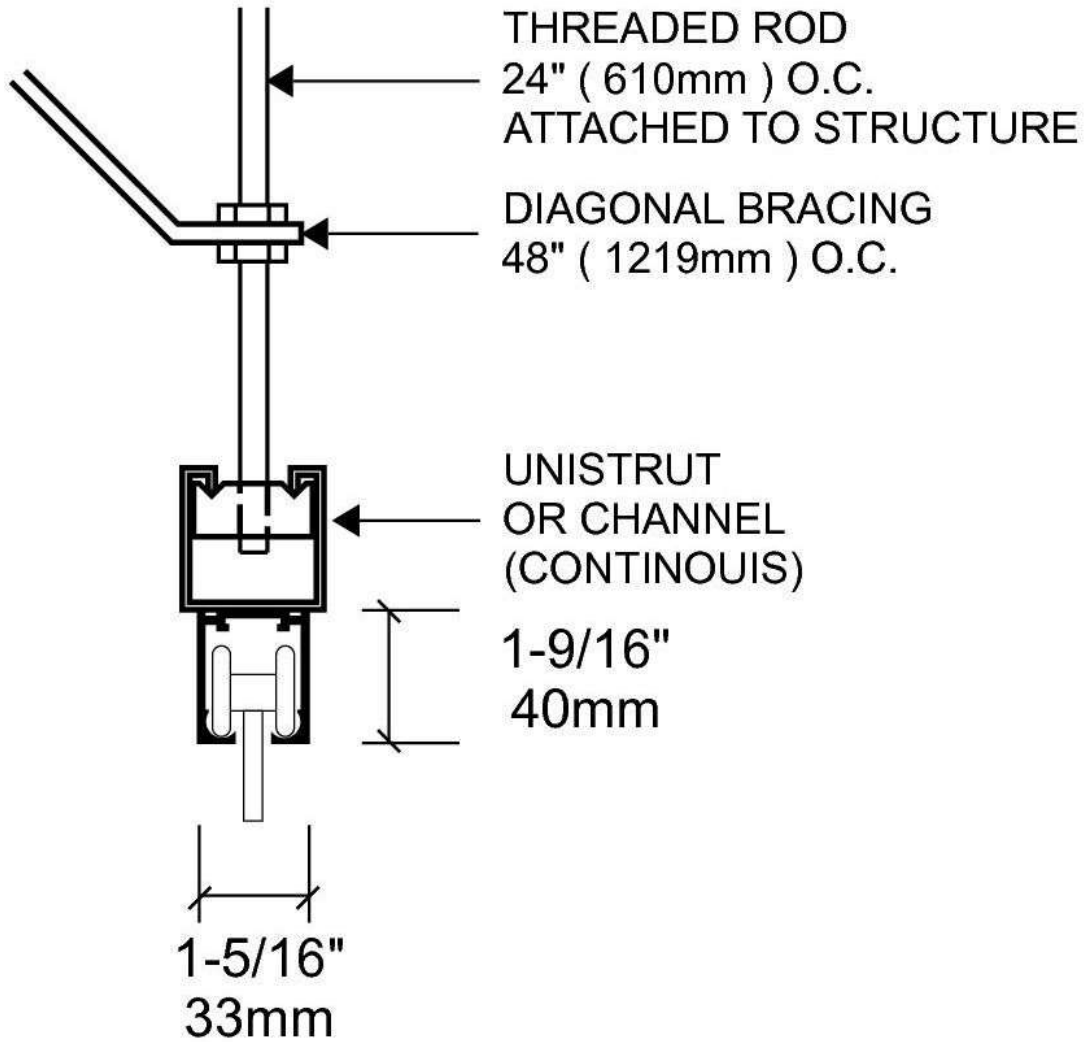
C CHANNEL AND WOOD SUPPORT



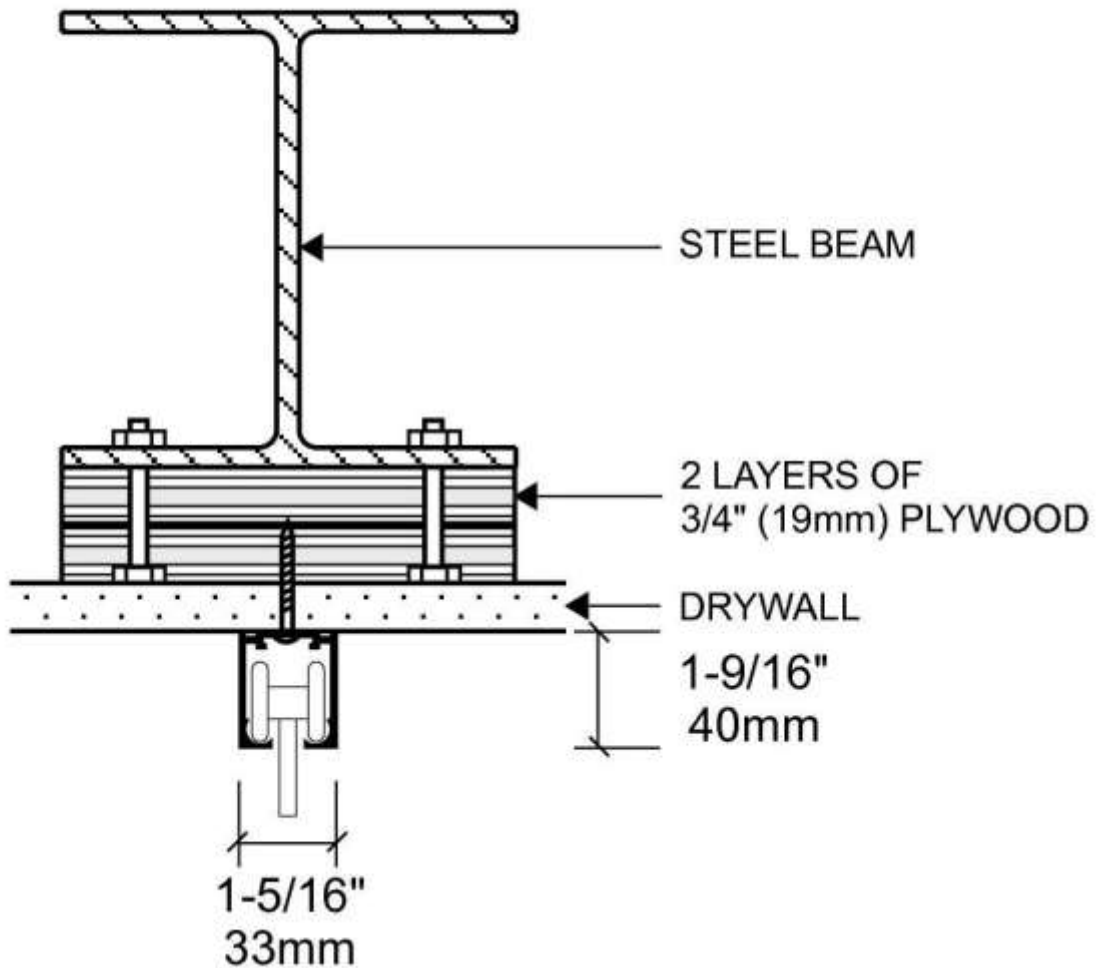
METAL STUD AND PLYWOOD BULKHEAD SUPPORT



UNISTRUT SUPPORT

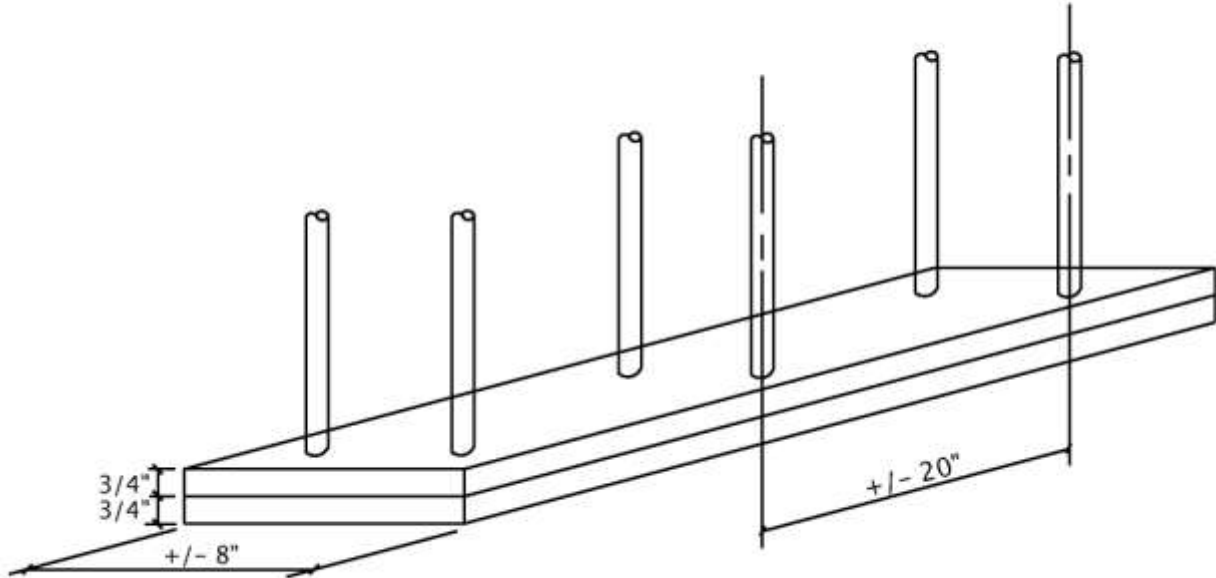


STEEL BEAM AND WOOD SUPPORT



Structure Info

1. 2x (8" x 3/4") pieces of plywood fixed together
2. 3/8" threaded rods fixed to the plywood and building structure @ +/- 20" apart



SUPPORT BUILT BY GENERAL CONTRACTOR

MINIMUM WEIGHT CAPACITY OF 3LBS/SQ. FT (15KG/SQ.M) OF GRILLE