

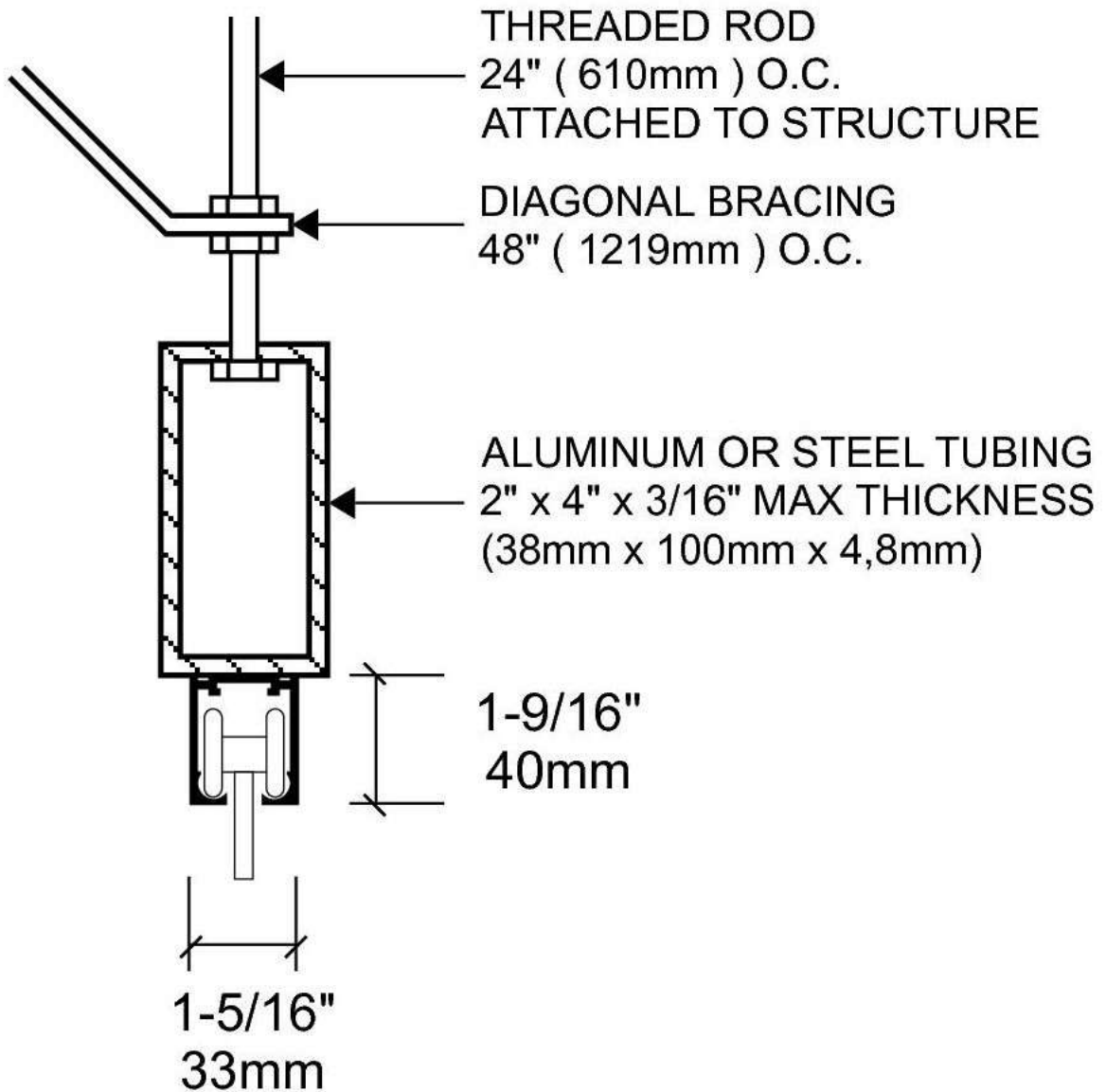


**SLIDING GRILLE**

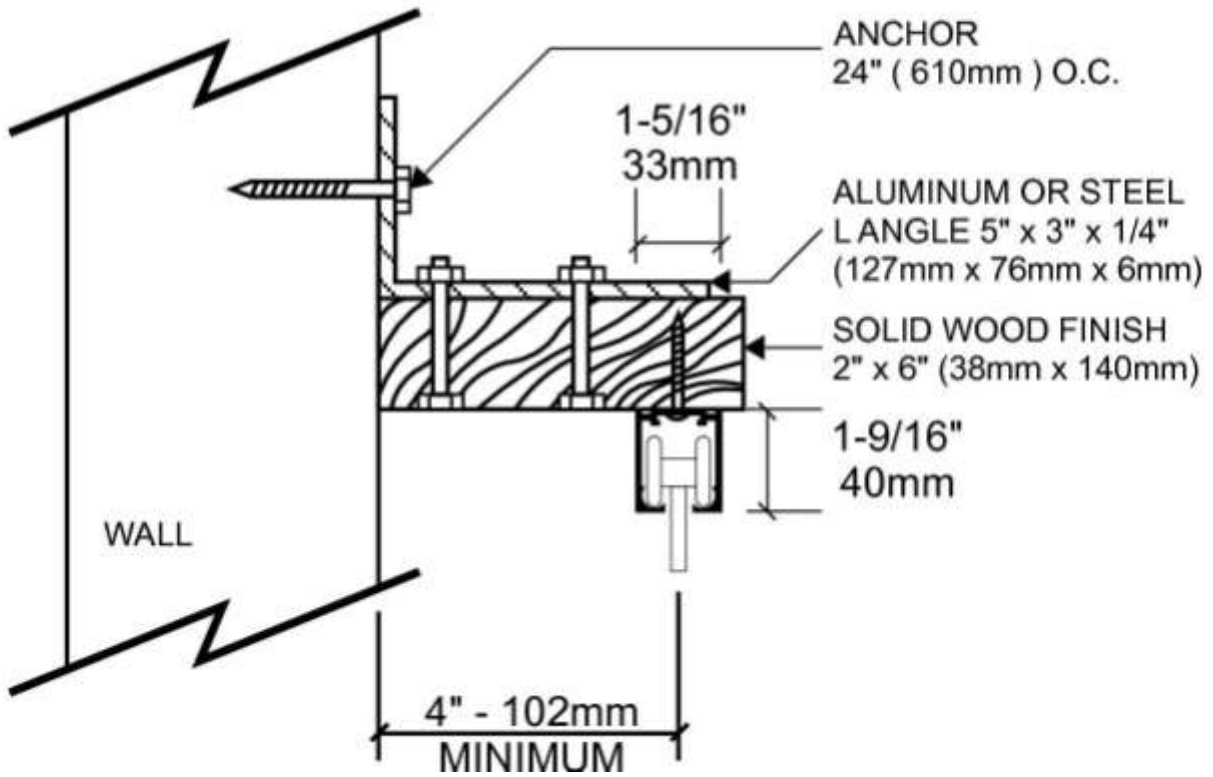
**SUPPORT STRUCTURE**

**POSSIBILITIES**

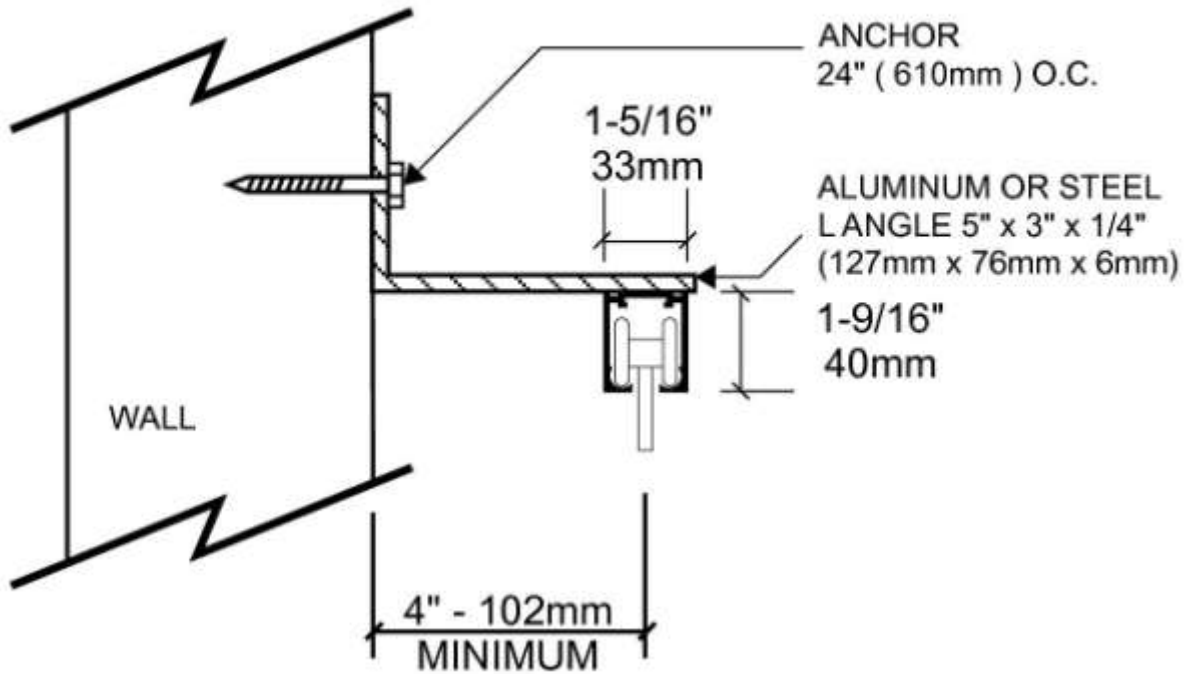
# RECTANGULAR TUBING SUPPORT ALUMINUM OR STEEL



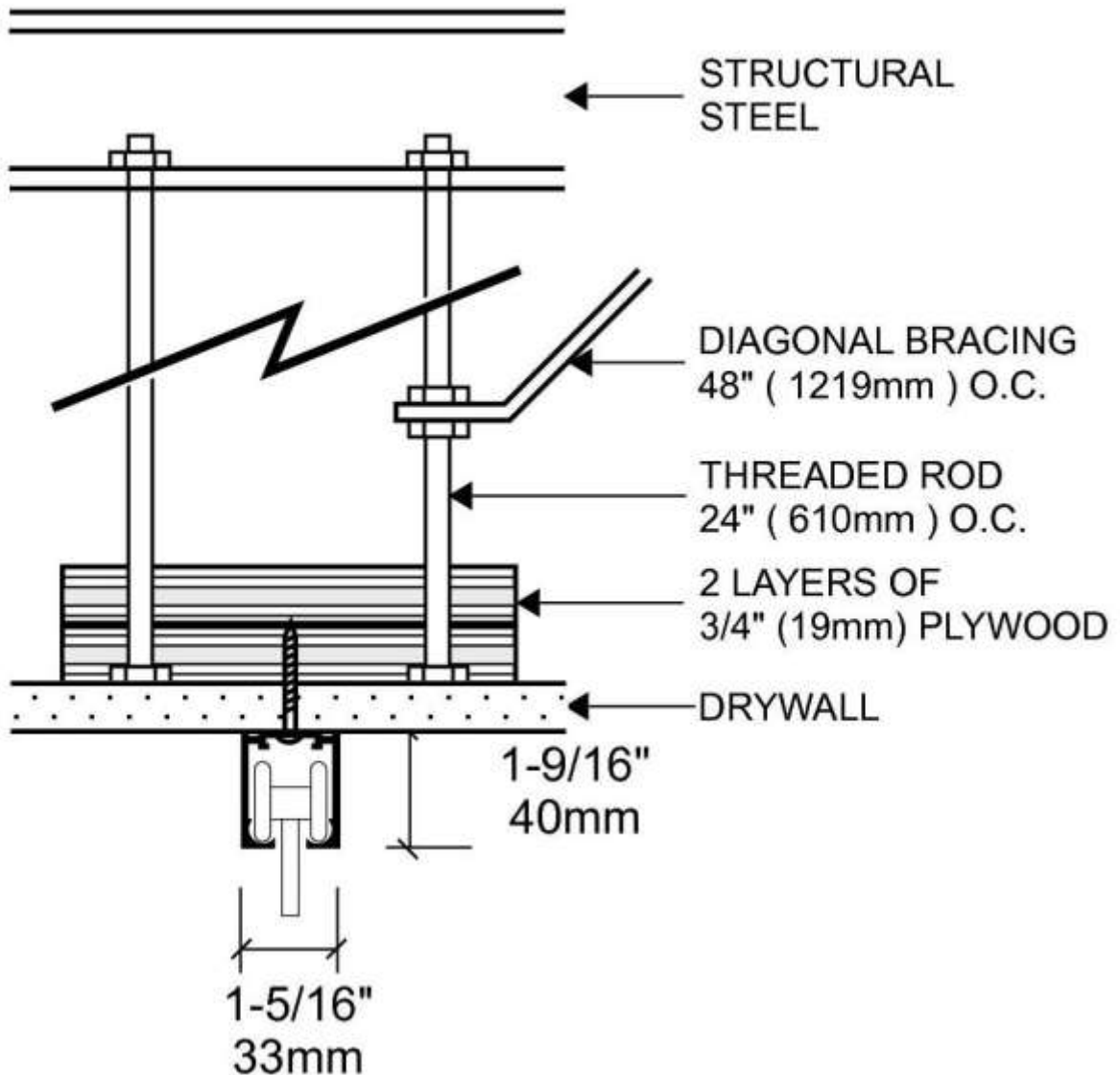
## 5" X 3" ANGLE SUPPORT AND WOOD, FACE TO WALL MOUNT



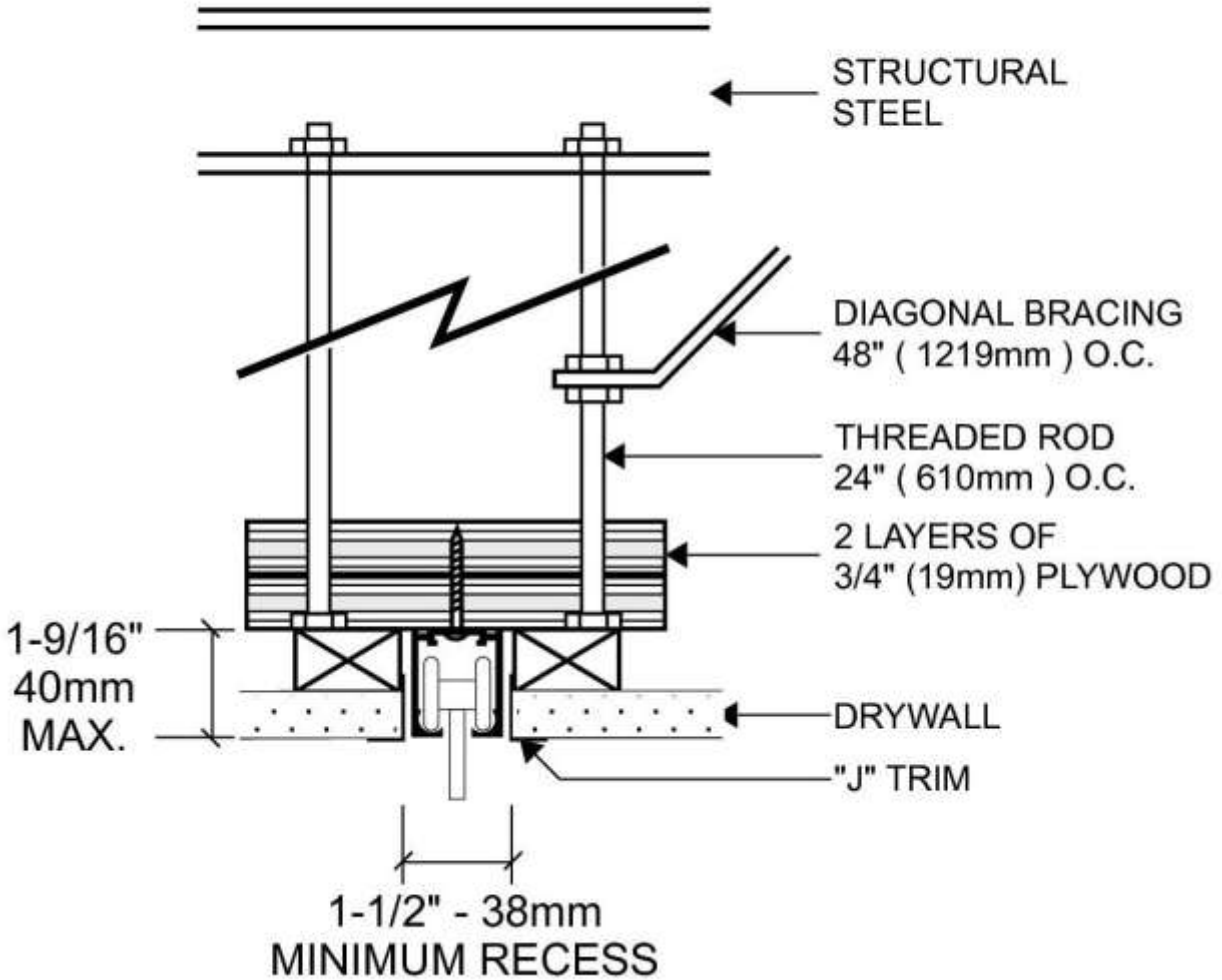
## ANGLE SUPPORT, FACE TO WALL MOUNT



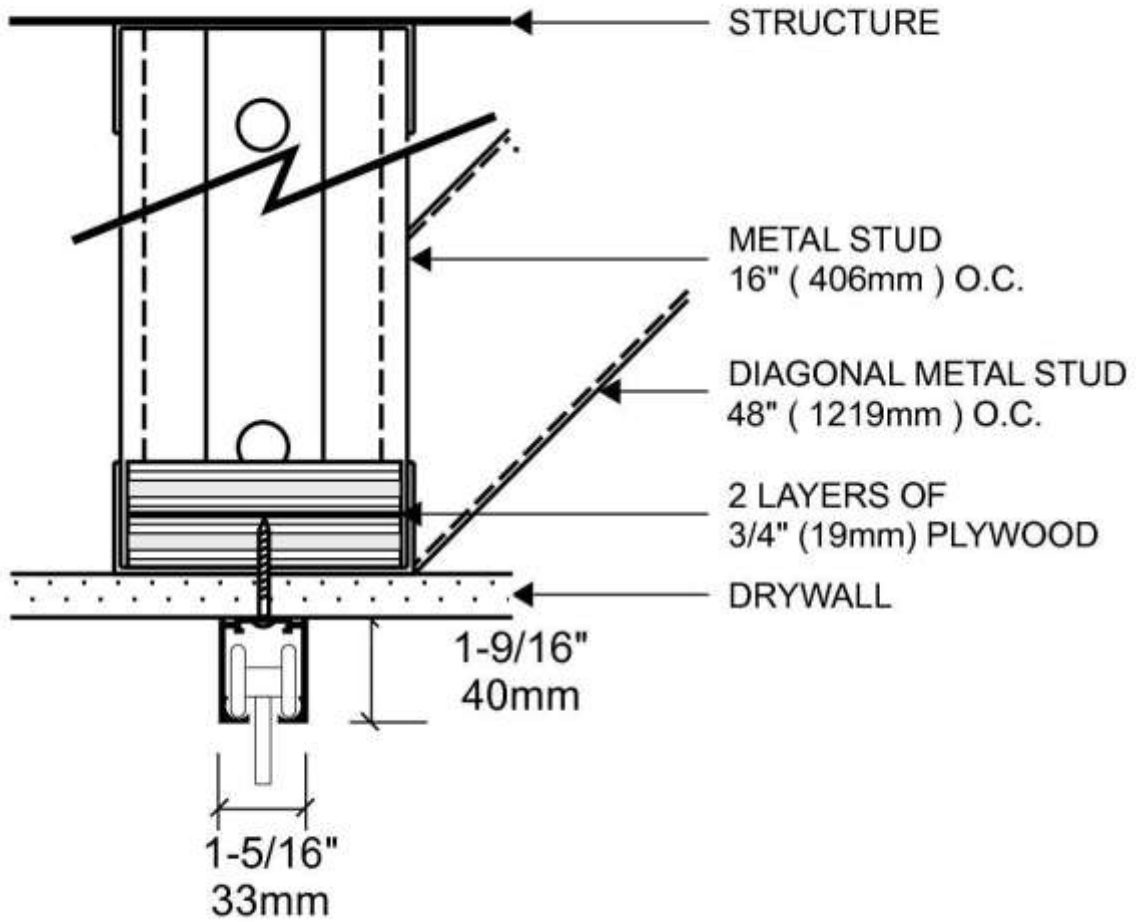
# THREADED ROD AND WOOD SUPPORT, SURFACE MOUNTED TRACK



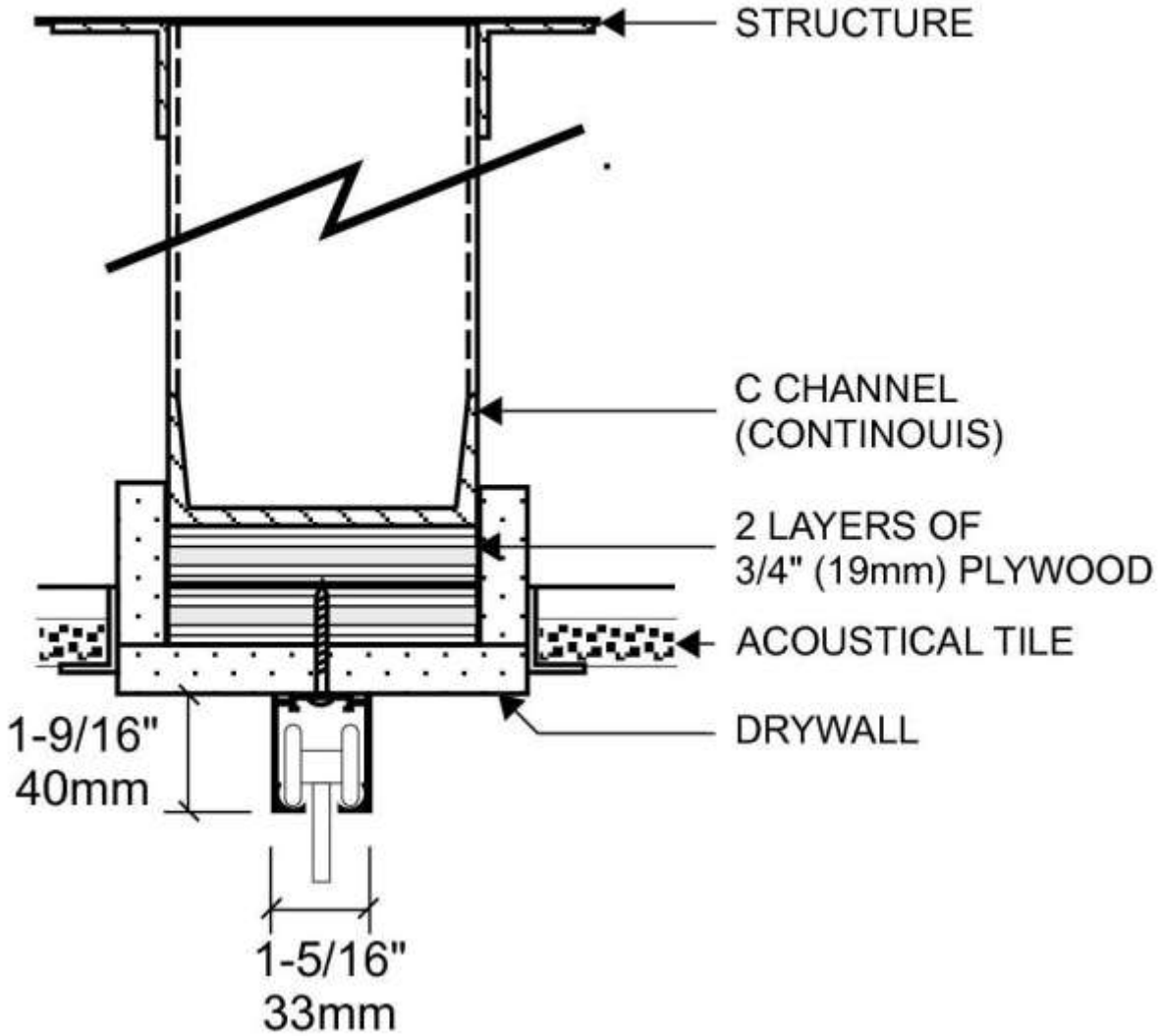
## THREADED ROD AND WOOD SUPPORT, RECESSED TRACK



## STEEL STUD AND WOOD SUPPORT

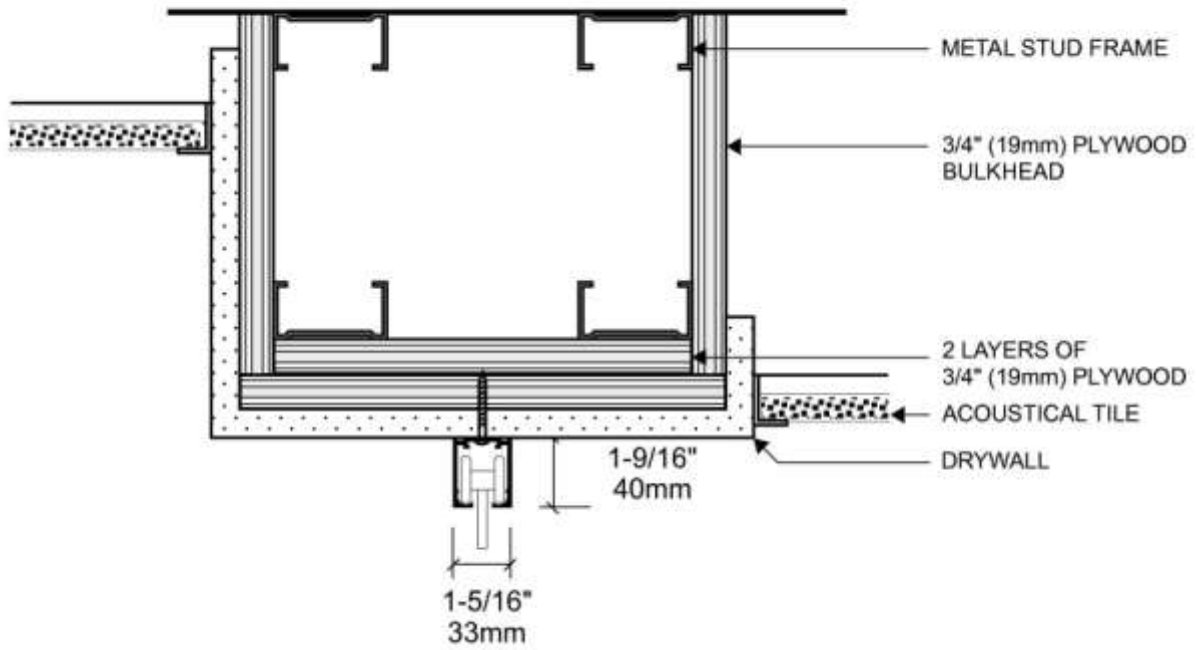


## C CHANNEL AND WOOD SUPPORT

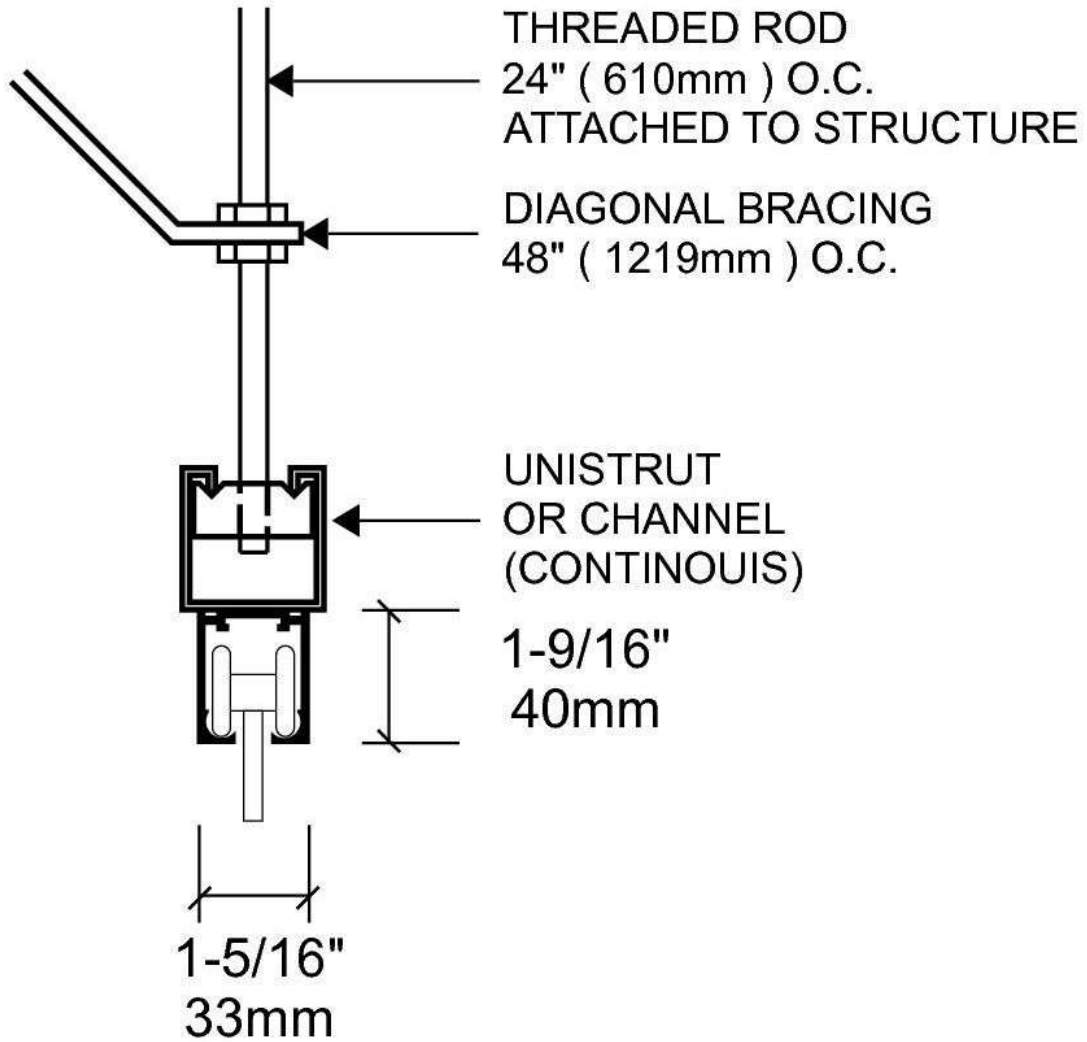




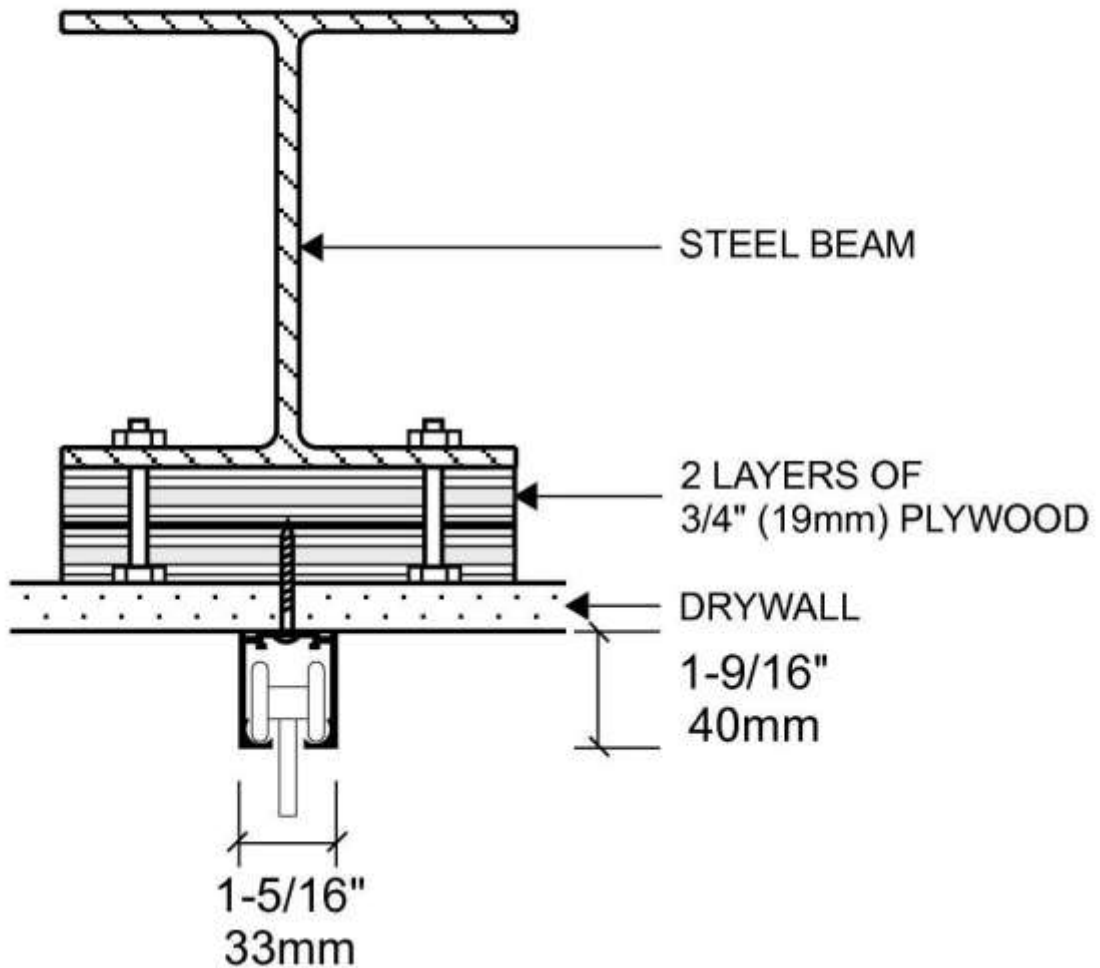
## METAL STUD AND PLYWOOD BULKHEAD SUPPORT



# UNISTRUT SUPPORT

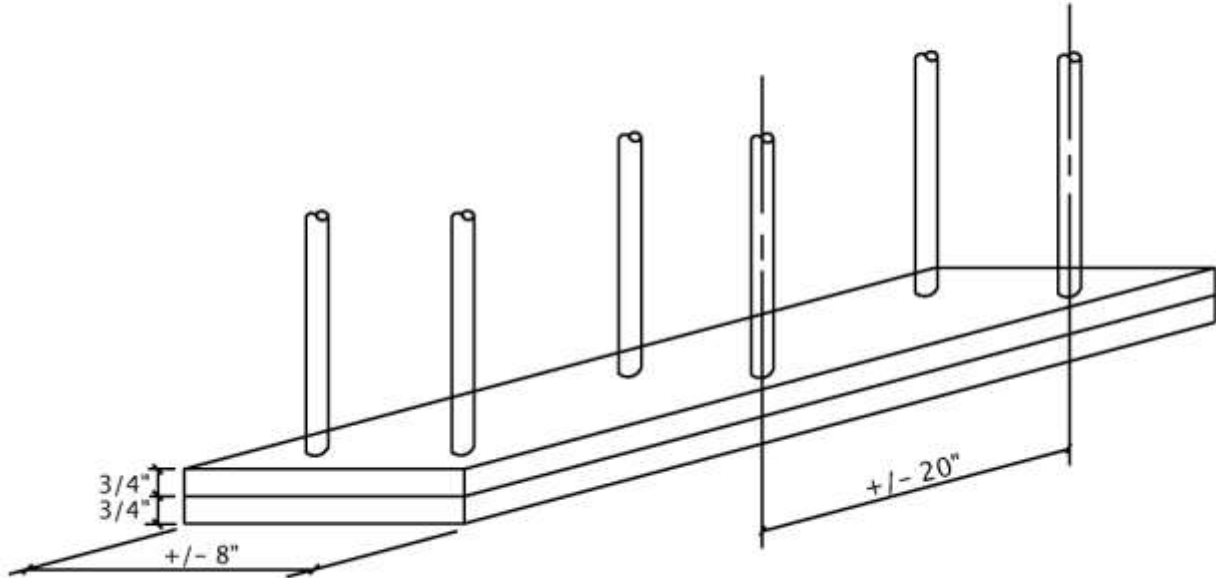


## STEEL BEAM AND WOOD SUPPORT



Structure Info

1. 2x (8" x 3/4") pieces of plywood fixed together
2. 3/8" threaded rods fixed to the plywood and building structure @ +/- 20" apart



**SUPPORT BUILT BY GENERAL CONTRACTOR**

**MINIMUM WEIGHT CAPACITY OF 3LBS/SQ. FT (15KG/SQ.M) OF GRILLE**