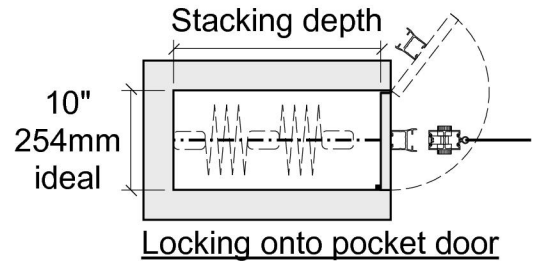
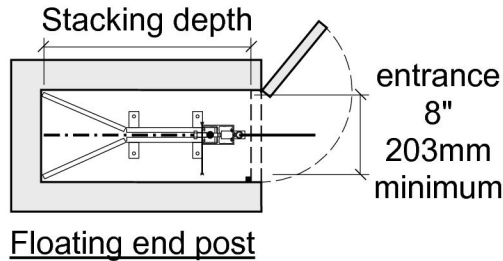
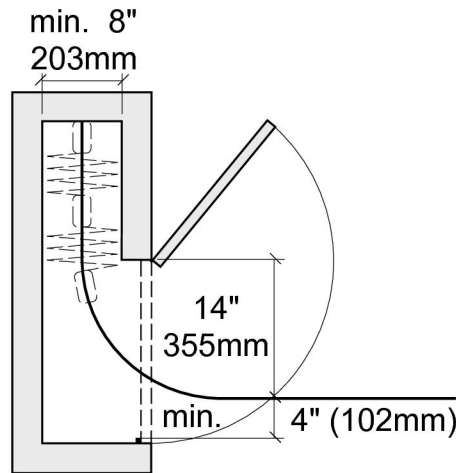


Alternative stacking arrangements

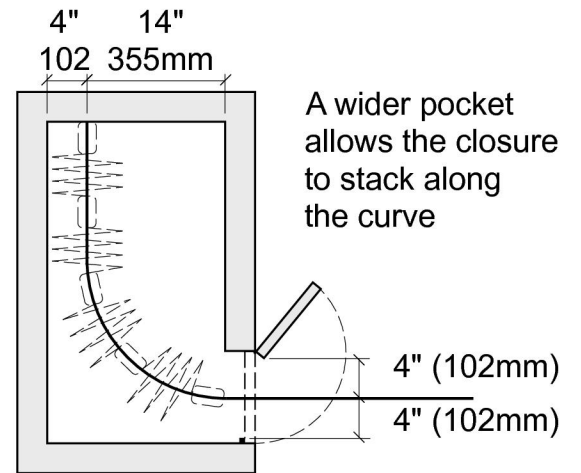
STRAIGHT POCKET, IN LINE STACKING



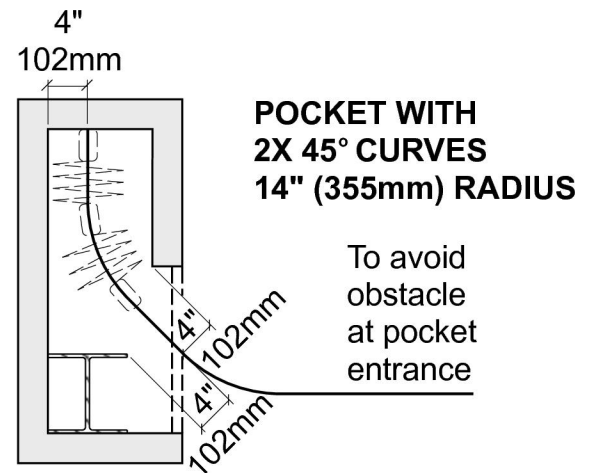
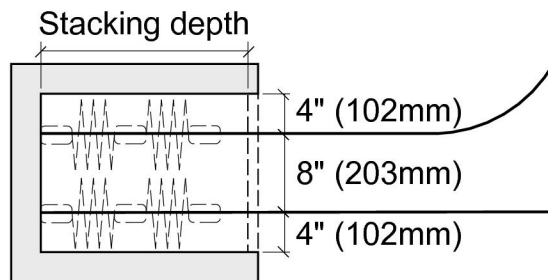
90° POCKET STANDARD CURVE 14" (355mm) RADIUS (2 Examples)



or



COMBINED POCKET FOR 2 CLOSURES



BETWEEN JAMBS, NO POCKET

