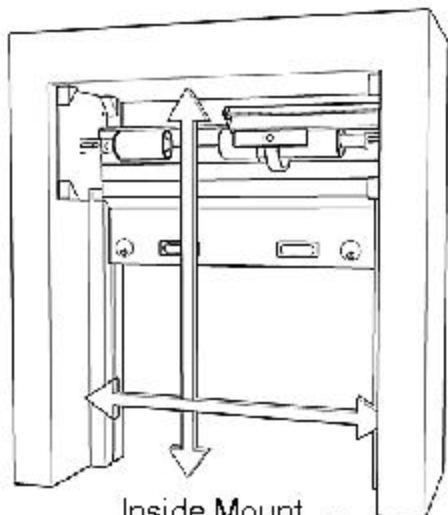


Wood Roll-Up Door Worksheet

Phone: 1-877-8746321
Fax : 1-877-874-6564

Customer Name _____ Company Name: _____
Full Address: _____ Phone: _____ FAX _____
Email: _____

Dealer: Vrinda Inc, Phone: 1-877-874-6321, Fax: 1-877-874-6564 Date: _____
Project: _____ Contact: Sales Department



Inside Mount Under Lintel

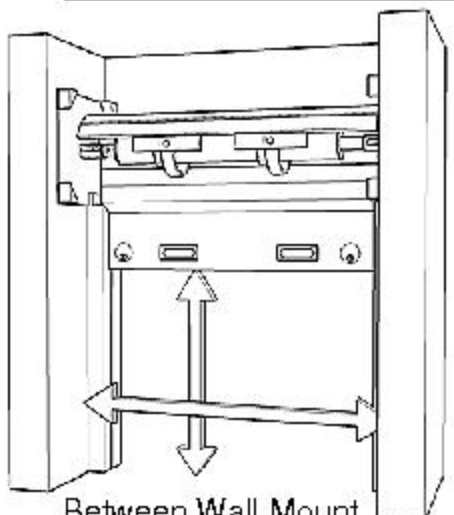
Manual Crank Left Right
Motor Left Right

Hood No Hood
Fascia No Fascia

Slide Bolts
Thumb Turns
Keylocks (5-pin Weiser)
or (7-pin Best)

Wood Species: Cherry Mahogany Maple Birch Red Oak Other (specify) _____

Qty	<input type="text"/>	Width	<input type="text"/>	Height	<input type="text"/>
Qty	<input type="text"/>	Width	<input type="text"/>	Height	<input type="text"/>

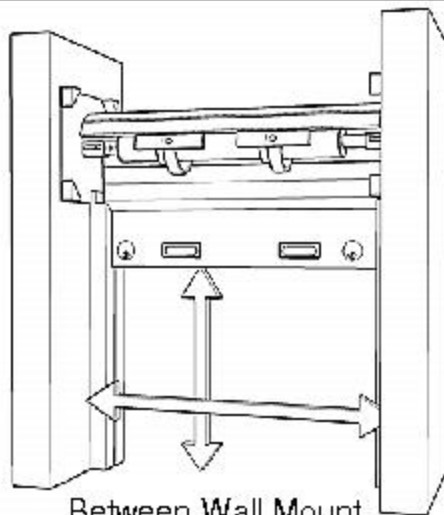


Between Wall Mount on Face of Lintel

Manual Crank Left Right
Motor Left Right

Hood No Hood
Fascia not available with this mount

Slide Bolts
Thumb Turns
Keylocks (5-pin Weiser)
or (7-pin Best)

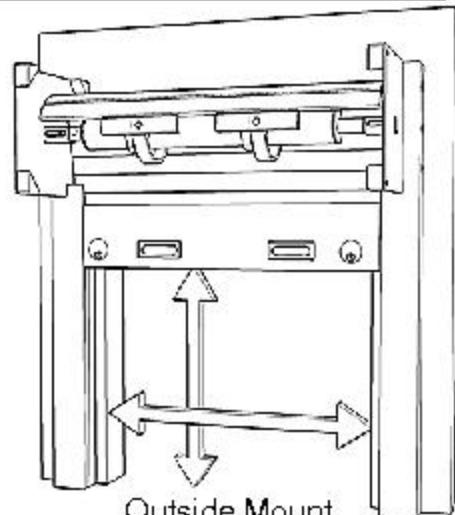


Between Wall Mount Without Lintel

Manual Crank Left Right
Motor Left Right

Hood No Hood
Fascia No Fascia

Slide Bolts
Thumb Turns
Keylocks (5-pin Weiser)
or (7-pin Best)



Outside Mount on Face of Wall

Manual Crank Left Right
Motor Left Right

Hood No Hood
Fascia not available with this mount

Slide Bolts
Thumb Turns
Keylocks (5-pin Weiser)
or (7-pin Best)

Use FSC Certified material, if available

Notes: _____