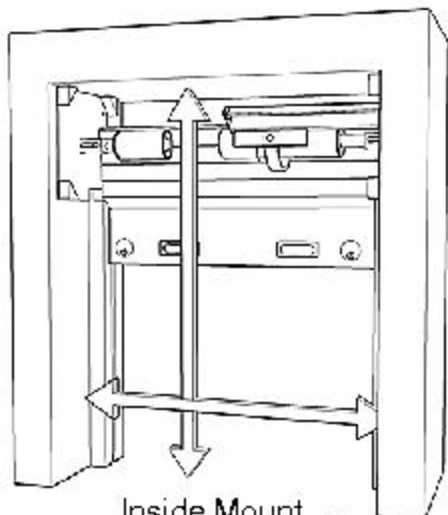


Wood Roll-Up Door Worksheet

Phone: 1-877-8746321
Fax : 1-888-335-2104

Customer Name _____ Company Name: _____
Full Address: _____ Phone: _____ FAX _____
Email: _____

Dealer: Vrinda Inc, Phone: 1-877-874-6321, Fax: 1-888-335-2104 Date: _____
Email : info@GlassEssential.com
Project: _____ Contact: Sales Department



Inside Mount Under Lintel

Manual Crank Left Right
Motor Left Right

Hood No Hood
Fascia No Fascia

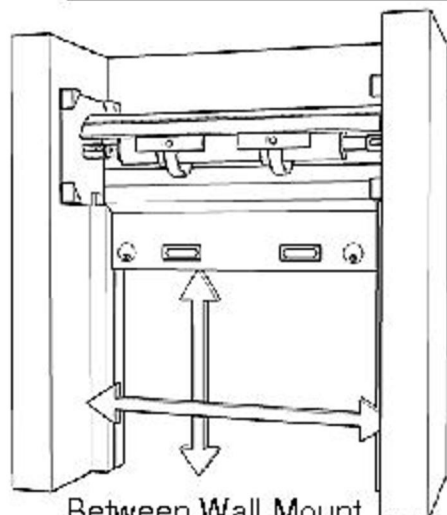
Slide Bolts
Thumb Turns
Keylocks (5-pin Weiser)
or (7-pin Best)

Wood Species: Cherry Mahogany Maple Birch Red Oak Other (specify) _____

Qty	<input type="text"/>	Width	<input type="text"/>	Height	<input type="text"/>
Qty	<input type="text"/>	Width	<input type="text"/>	Height	<input type="text"/>

Unfinished
Clear Finish
Custom Stain/Paint

Use FSC Certified material, if available

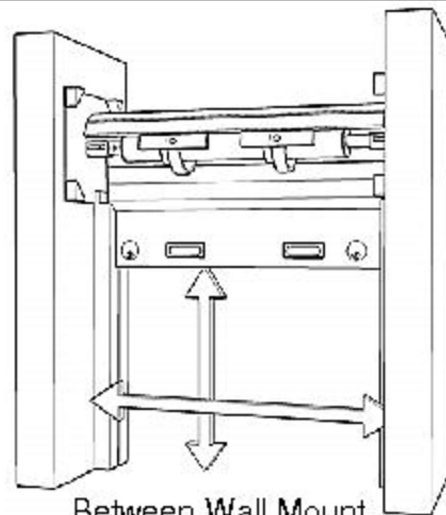


Between Wall Mount on Face of Lintel

Manual Crank Left Right
Motor Left Right

Hood No Hood
Fascia not available with this mount

Slide Bolts
Thumb Turns
Keylocks (5-pin Weiser)
or (7-pin Best)

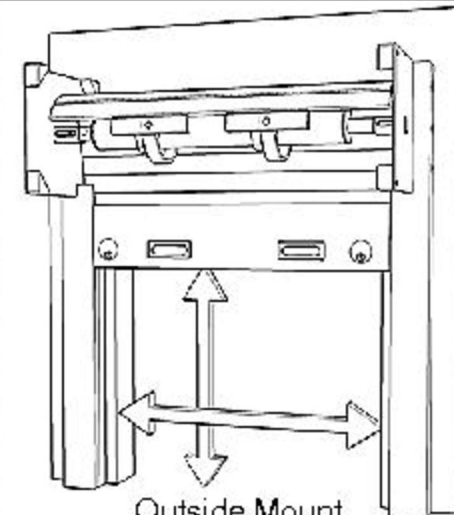


Between Wall Mount Without Lintel

Manual Crank Left Right
Motor Left Right

Hood No Hood
Fascia No Fascia

Slide Bolts
Thumb Turns
Keylocks (5-pin Weiser)
or (7-pin Best)



Outside Mount on Face of Wall

Manual Crank Left Right
Motor Left Right

Hood No Hood
Fascia not available with this mount

Slide Bolts
Thumb Turns
Keylocks (5-pin Weiser)
or (7-pin Best)

Notes: _____