

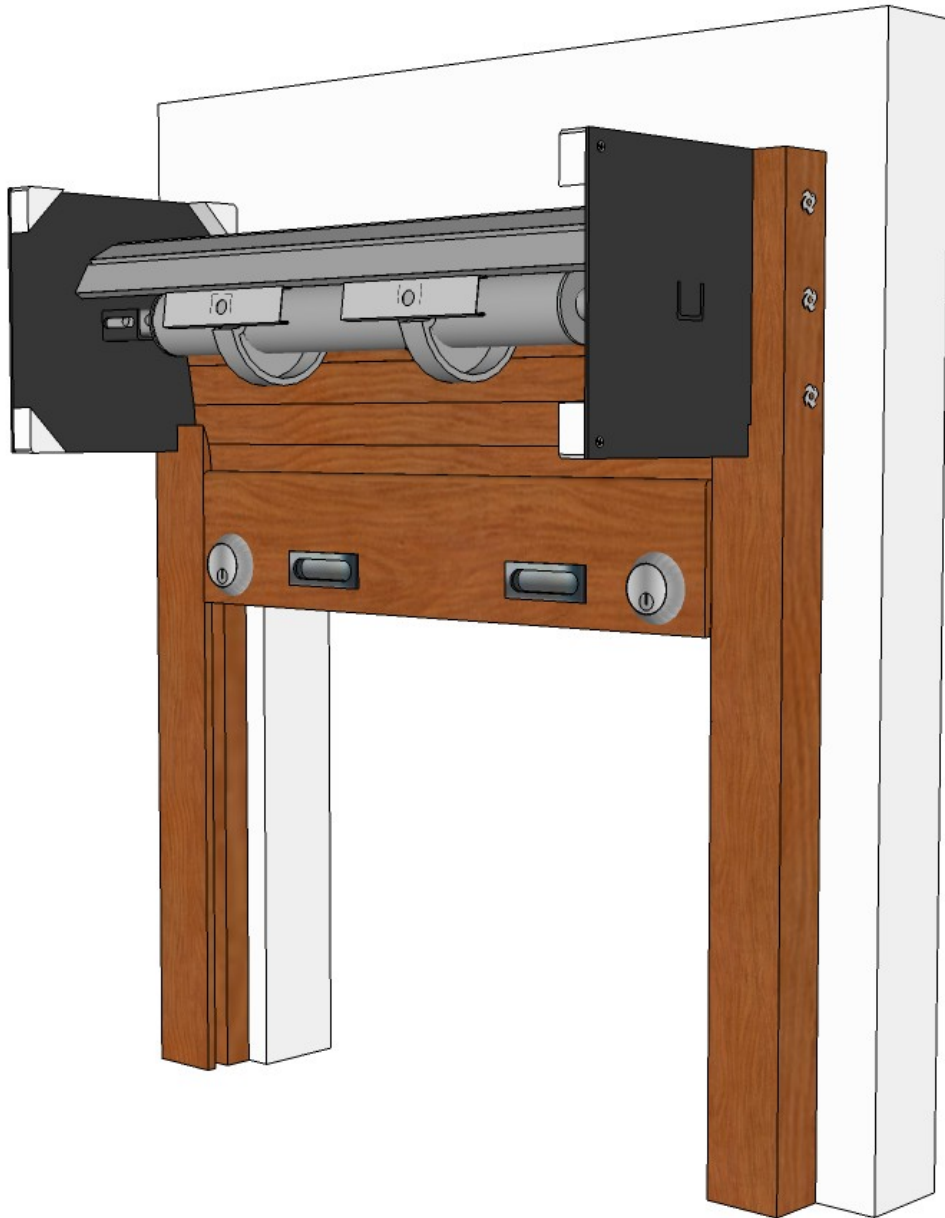
Woodfold
Roll-Up
Doors

Outside Mount on Face of Wall

Manual push up Operation



View from Coil Side

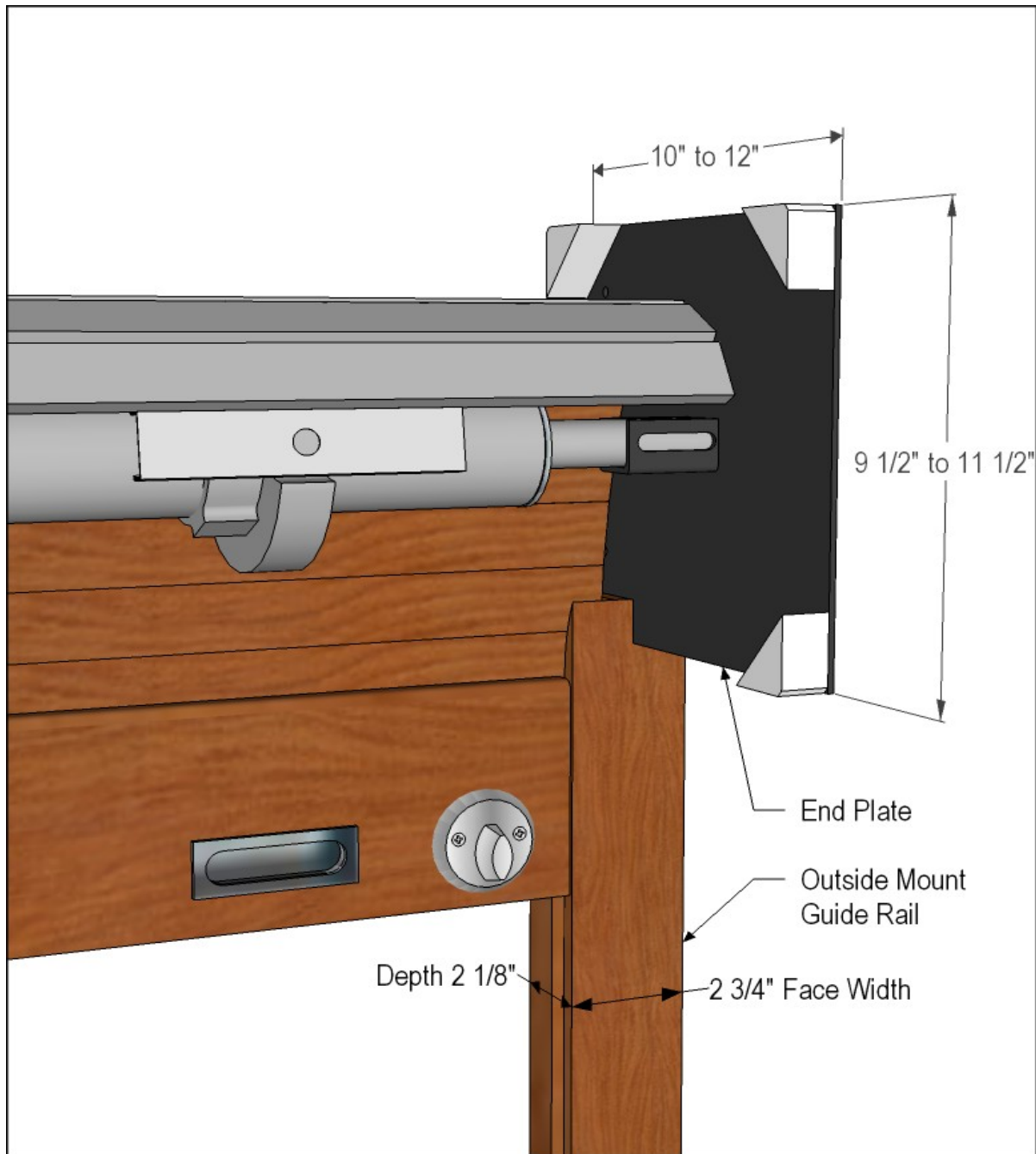


Shown without Hood option
Shown with Keylock option

Outside Mount on Face of Wall

Manual push up Operation - Details

View from Coil Side



Shown without Hood option
Shown with Thumb Turn option

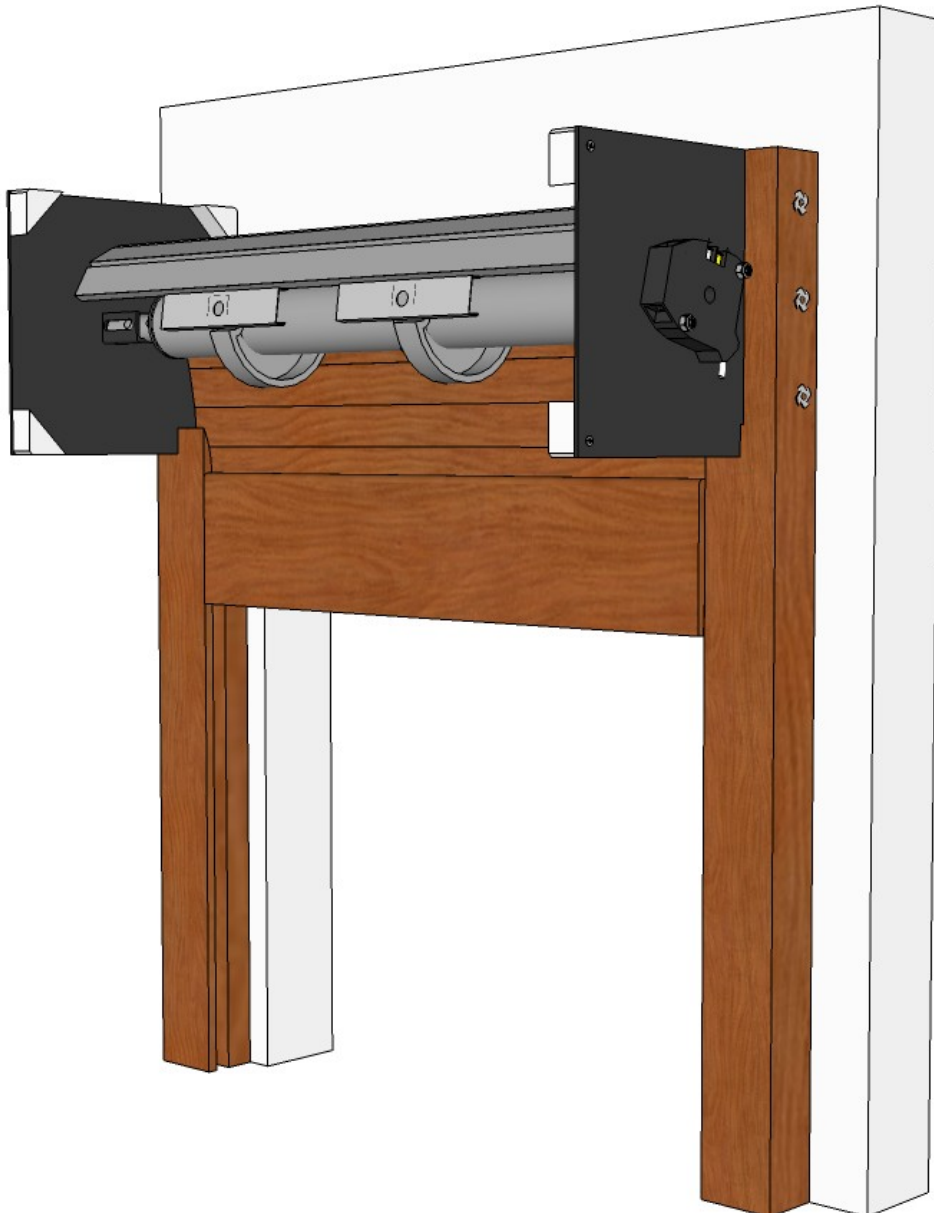
*Woodfold
Roll-Up
Doors*

Outside Mount on Face of Wall

Motorized Operation



View from Coil Side

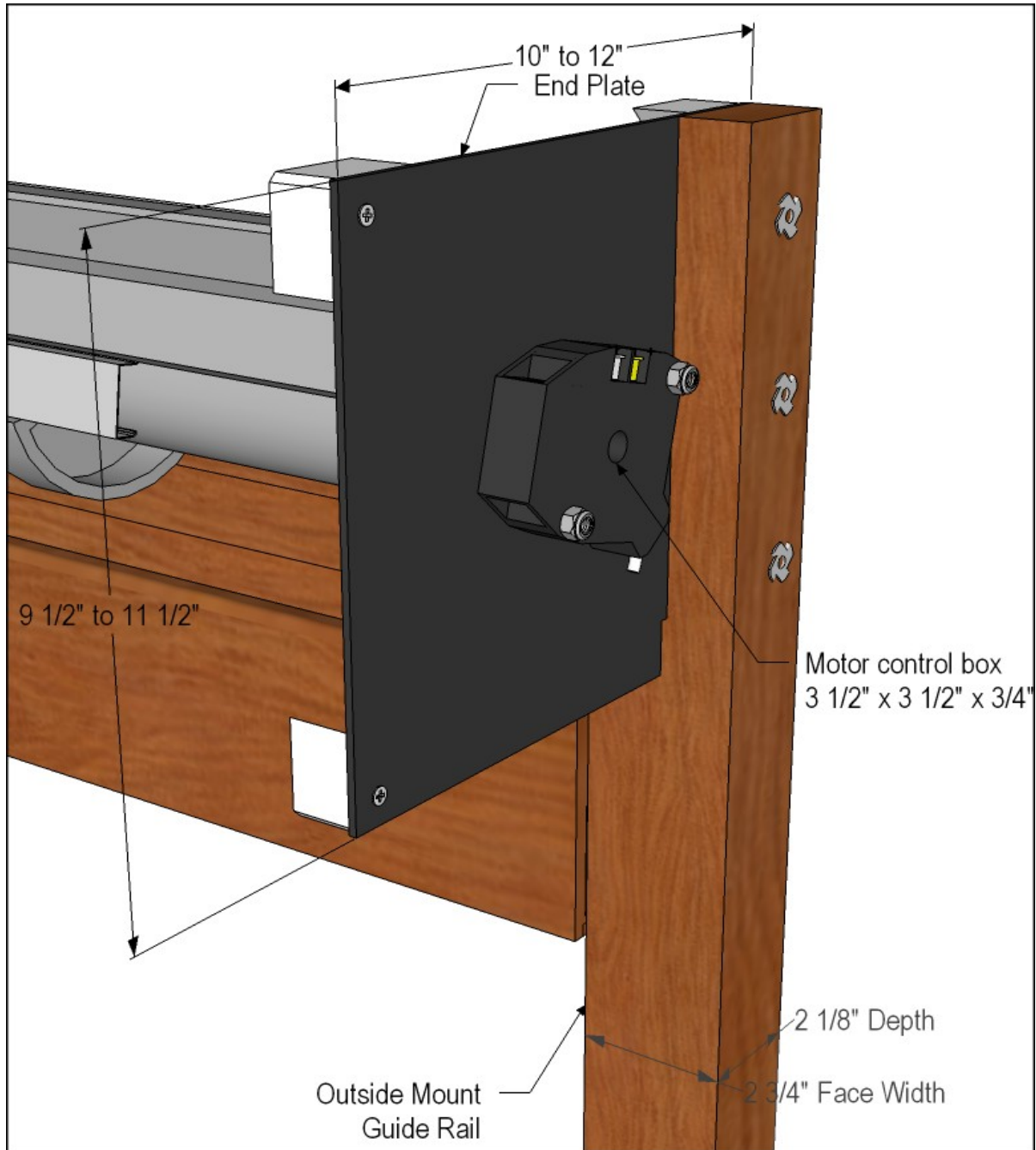


Shown without Hood option

Outside Mount on Face of Wall

Motorized Operation - Details

View from Coil Side



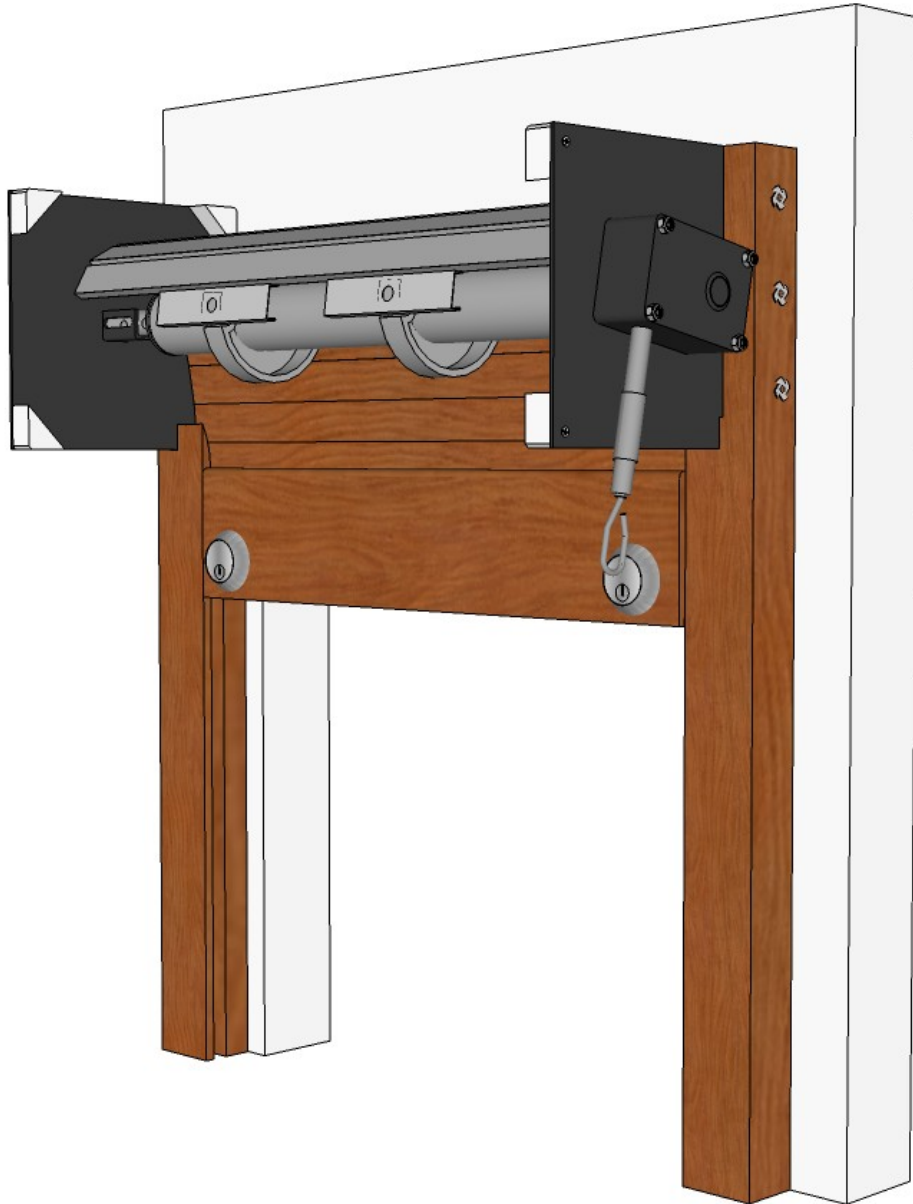
Shown without Hood option

*Woodfold
Roll-Up
Doors*

Outside Mount on Face of Wall Hand Crank Operation



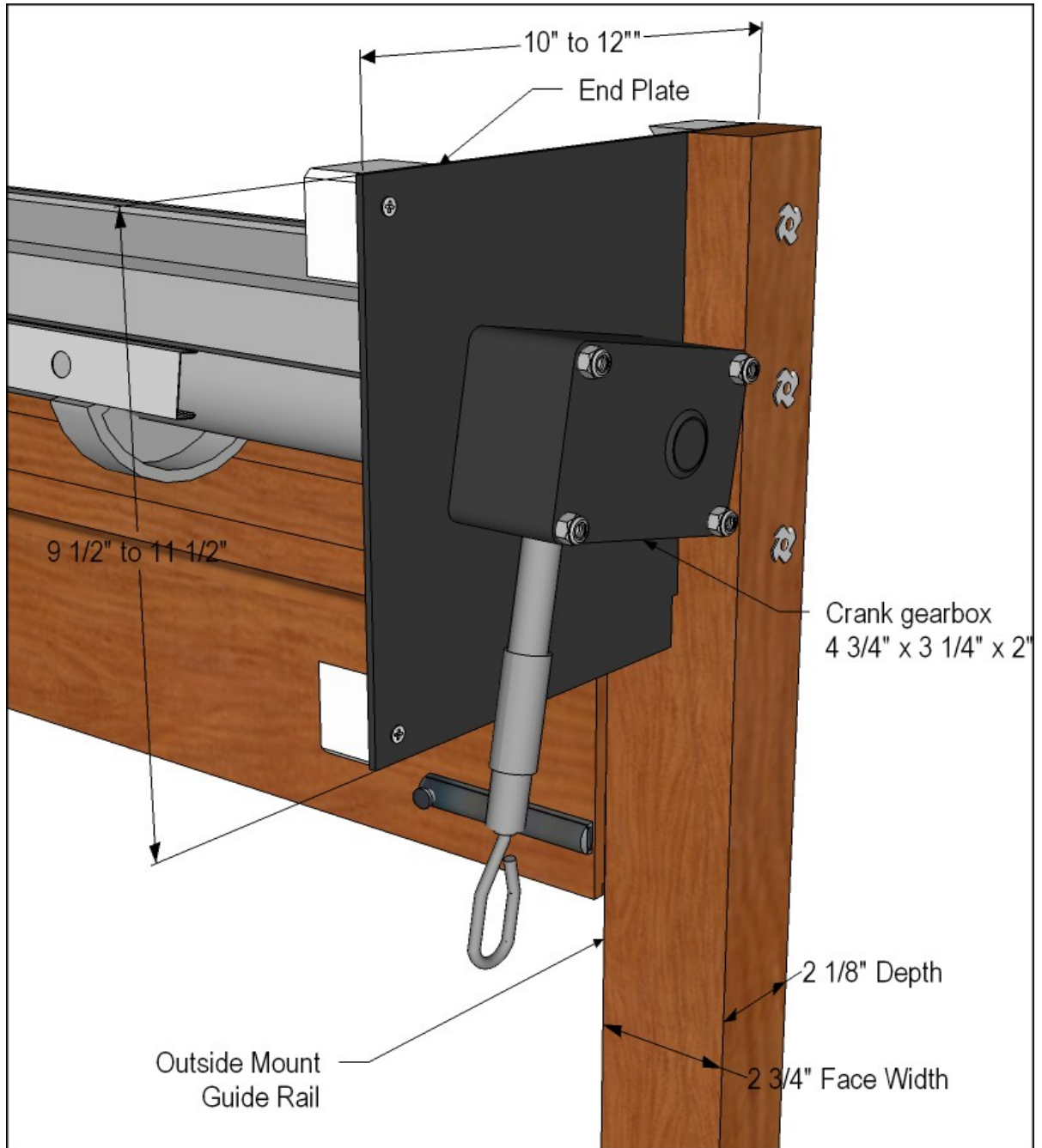
View from Coil Side



Shown without Hood option
Shown with Keylock option

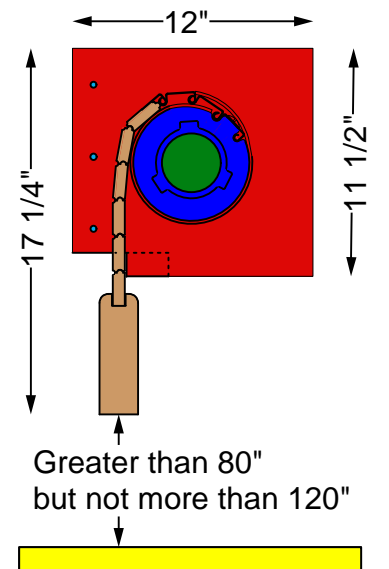
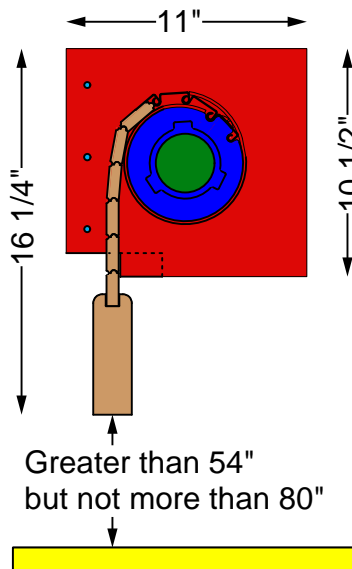
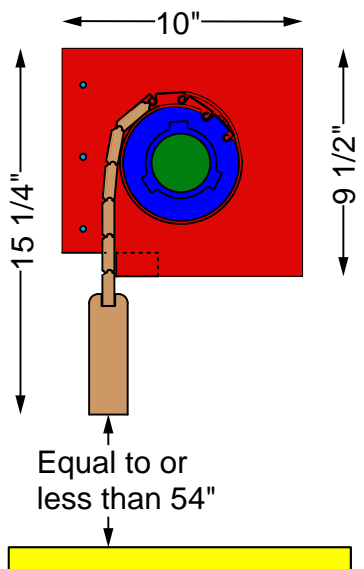
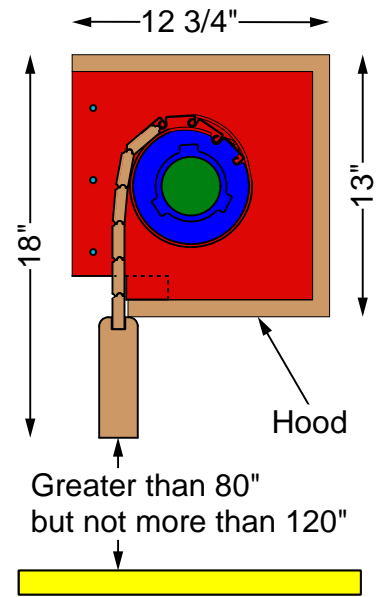
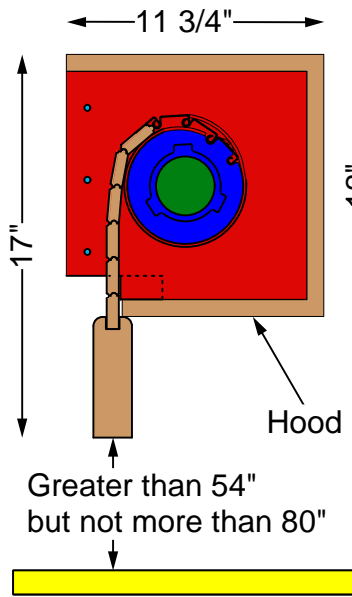
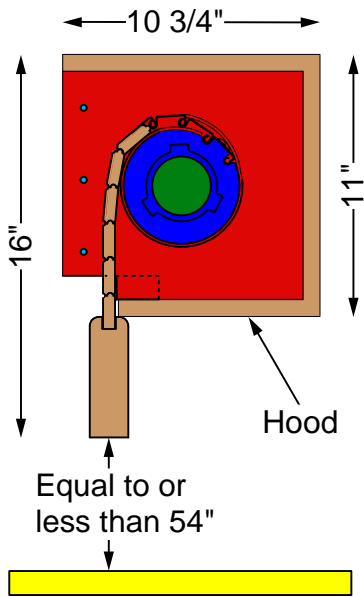
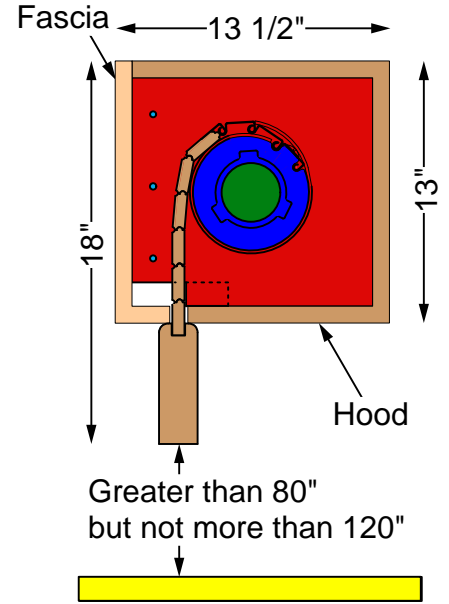
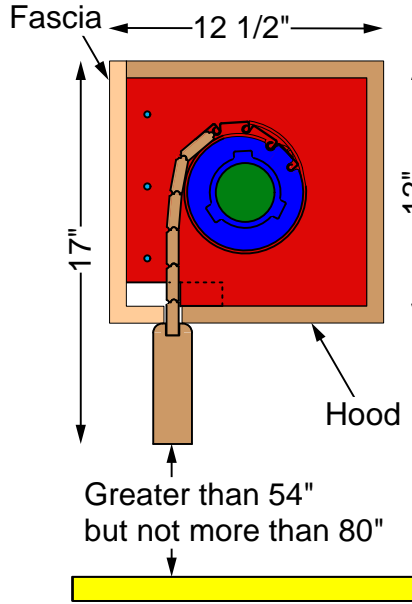
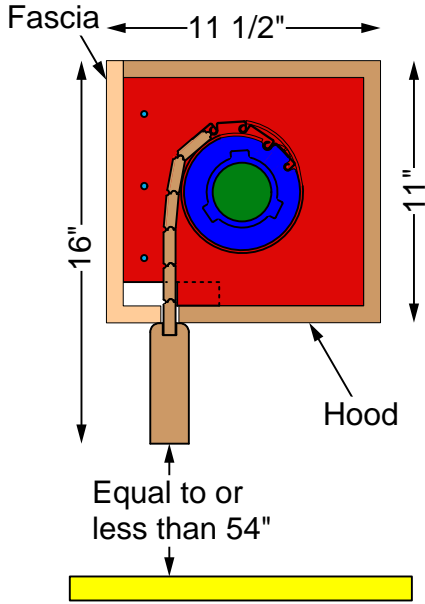
Outside Mount on Face of Wall Hand Crank Operation - Details

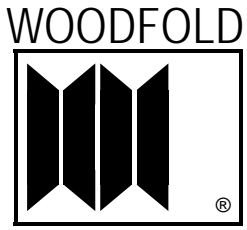
View from Coil Side



Shown without Hood option
Shown with Slide Bolt option

End Plate size details

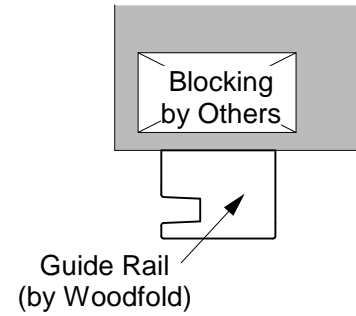
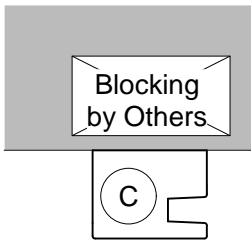


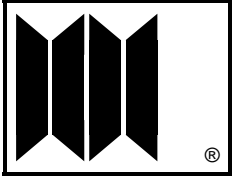


Outside Mount on Face of Wall

Manual push up, Motorized and Hand Crank Operation

Top View





Outside Mount on Face of Wall

