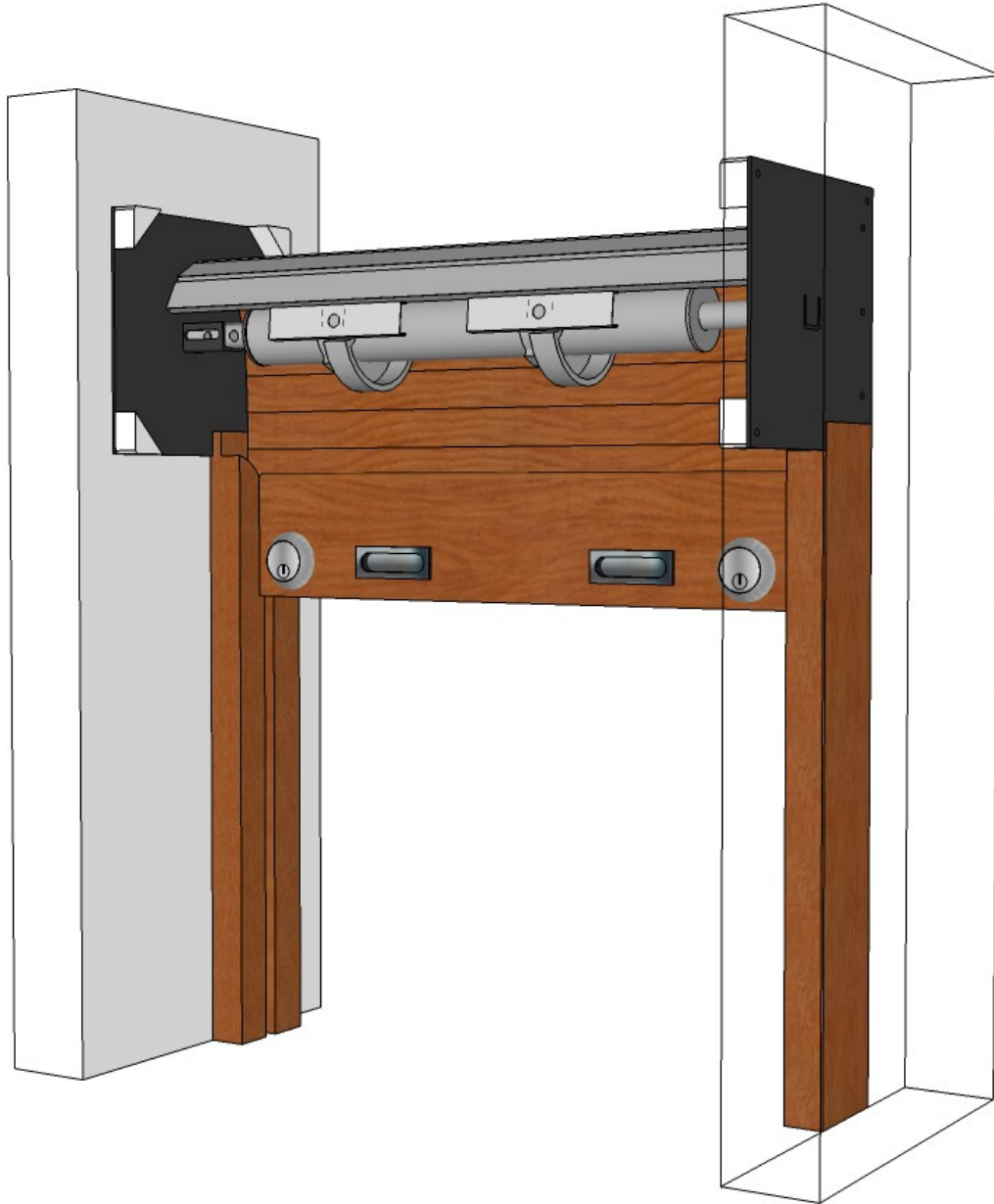


Between Wall without Lintel Manual push up Operation

View from Coil Side

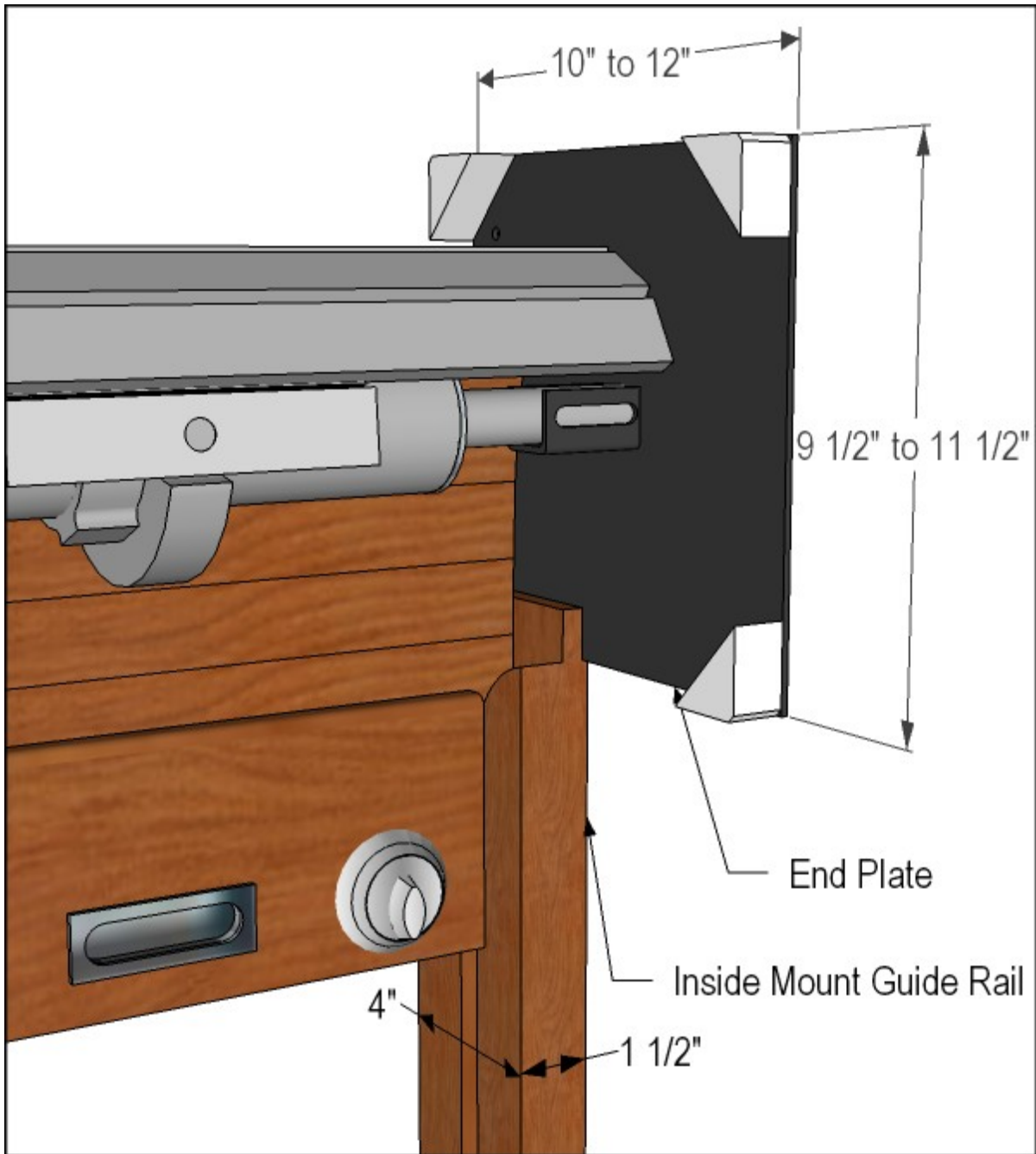


Shown without Hood or Fascia option
Shown with Keylock option

Between Wall without Lintel

Manual push up Operation - Details

View from Coil Side



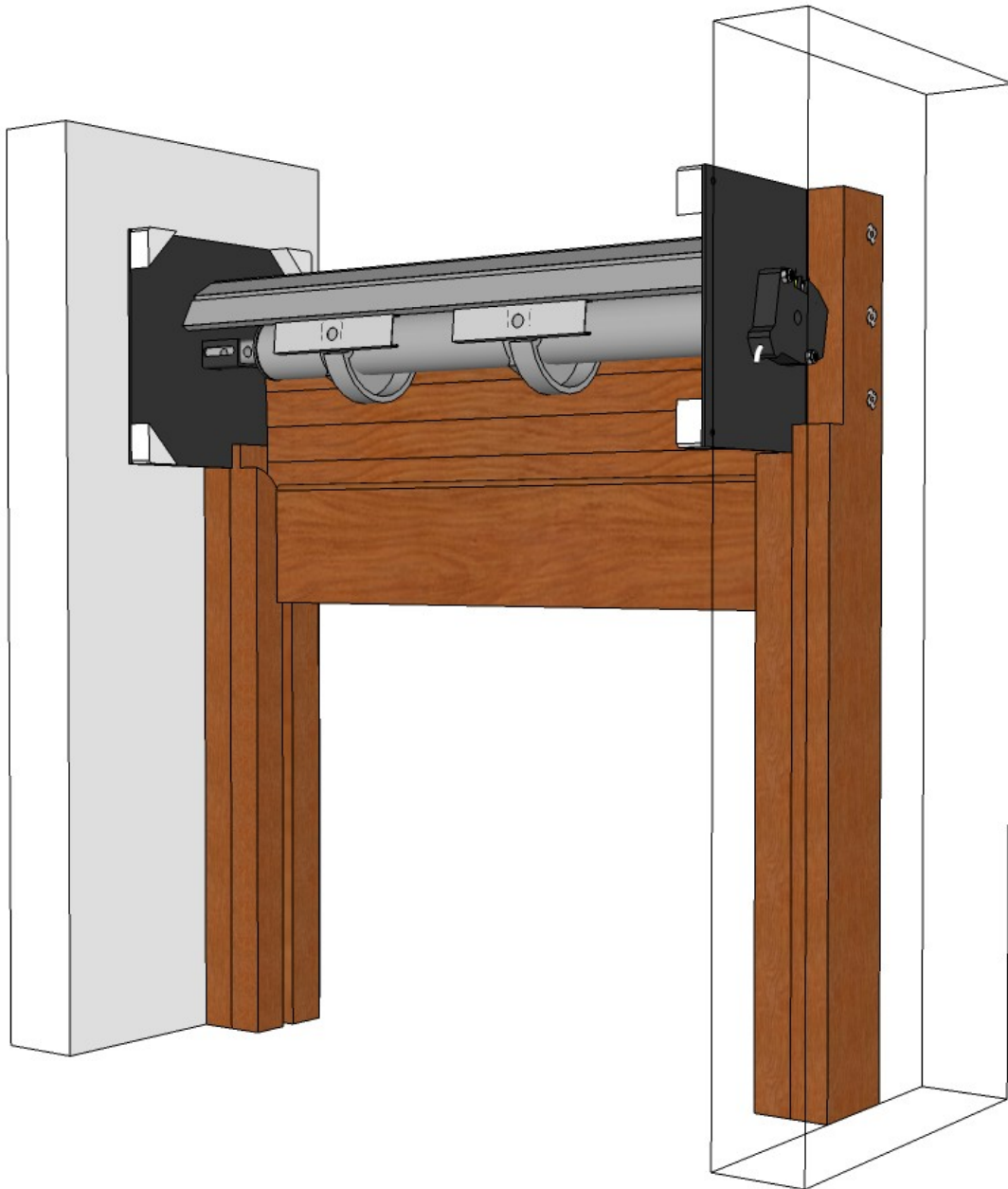
Shown without Hood or Fascia option
Shown with Thumb Turn option

*Woodfold
Roll-Up
Doors*

Between Wall without Lintel Motorized Operation



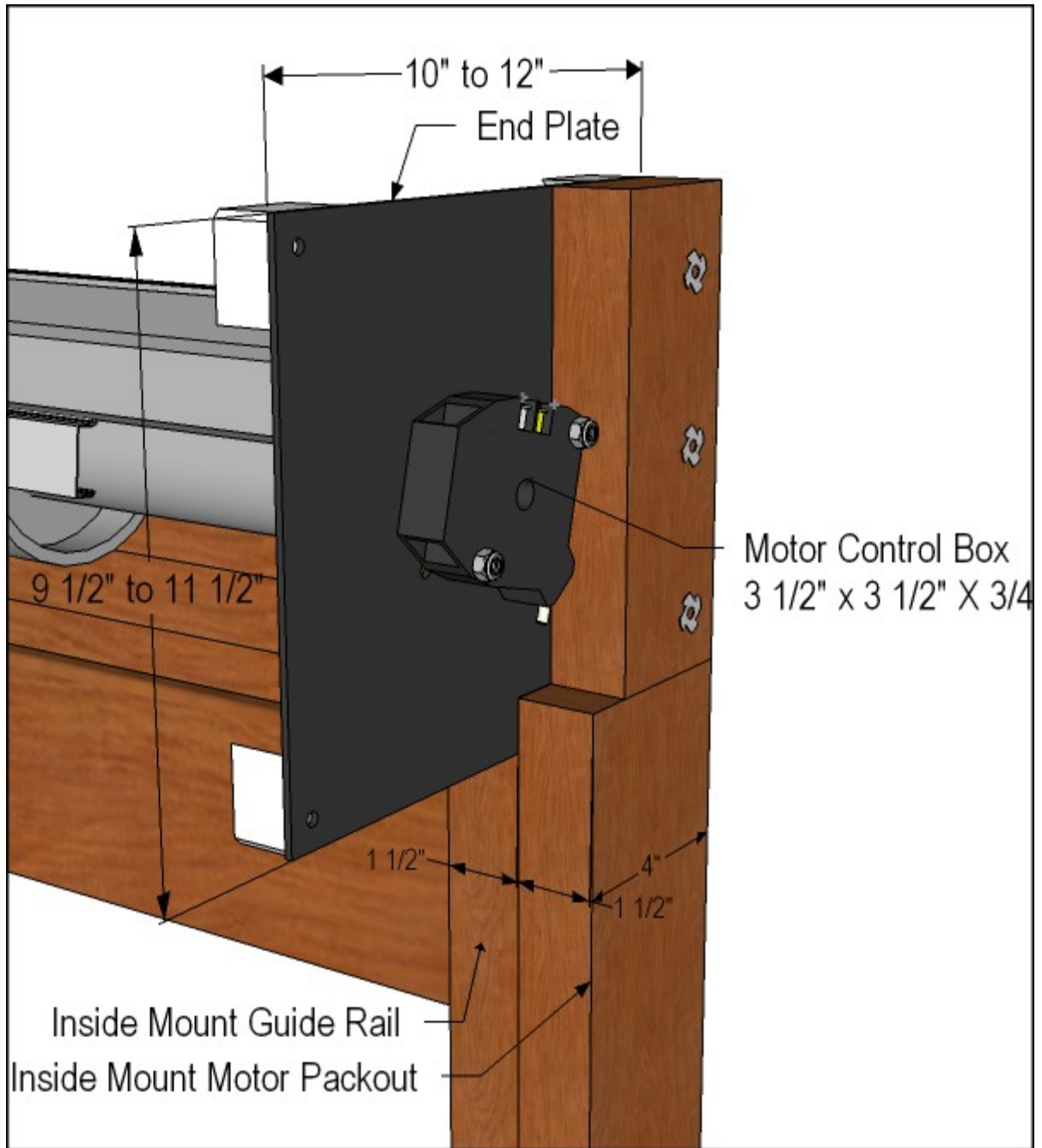
View from Coil Side



Shown without Hood or Fascia option

Between Wall without Lintel Motorized Operation - Details

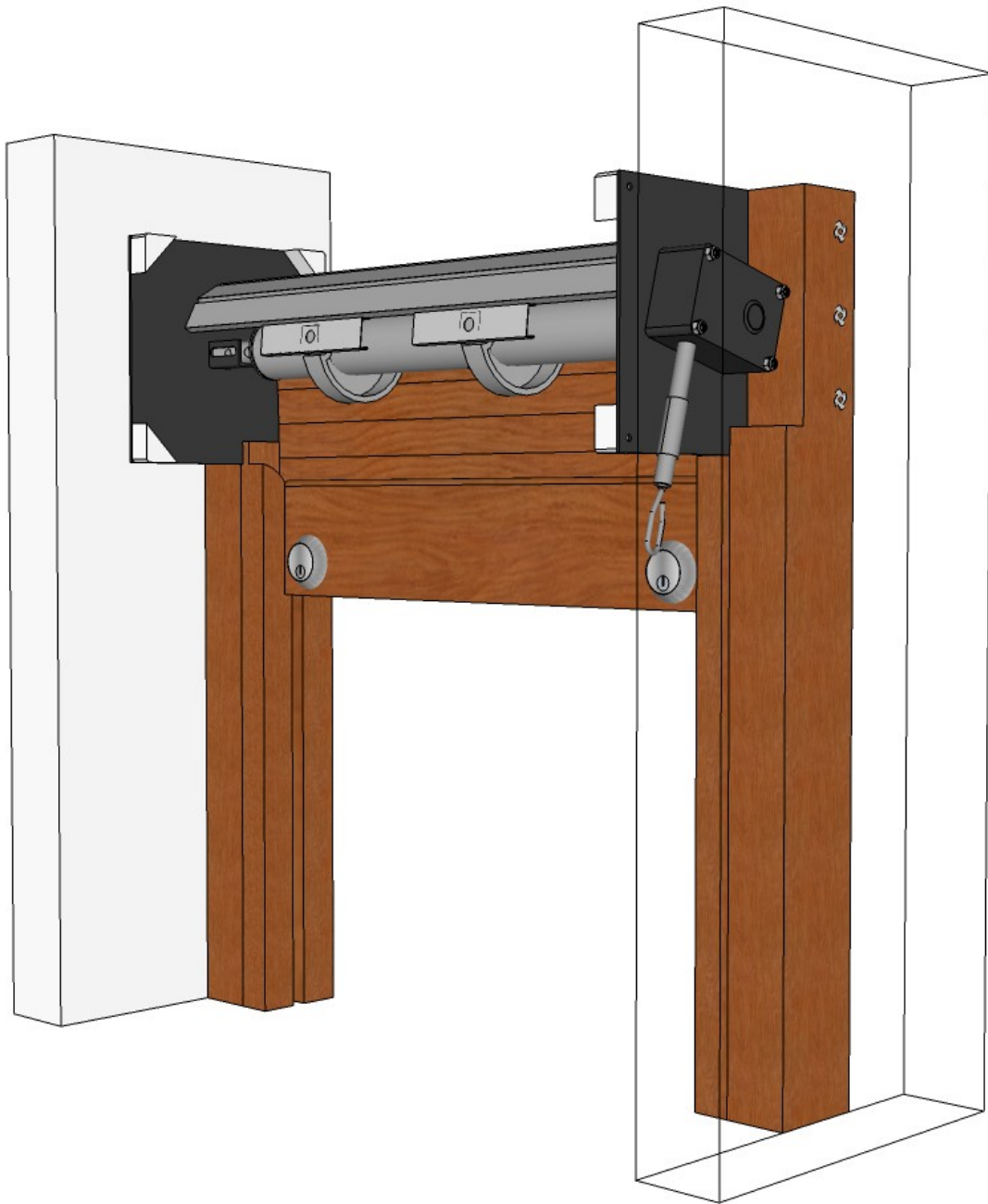
View from Coil Side



Shown without Hood or Fascia option

Between Wall without Lintel Hand Crank Operation

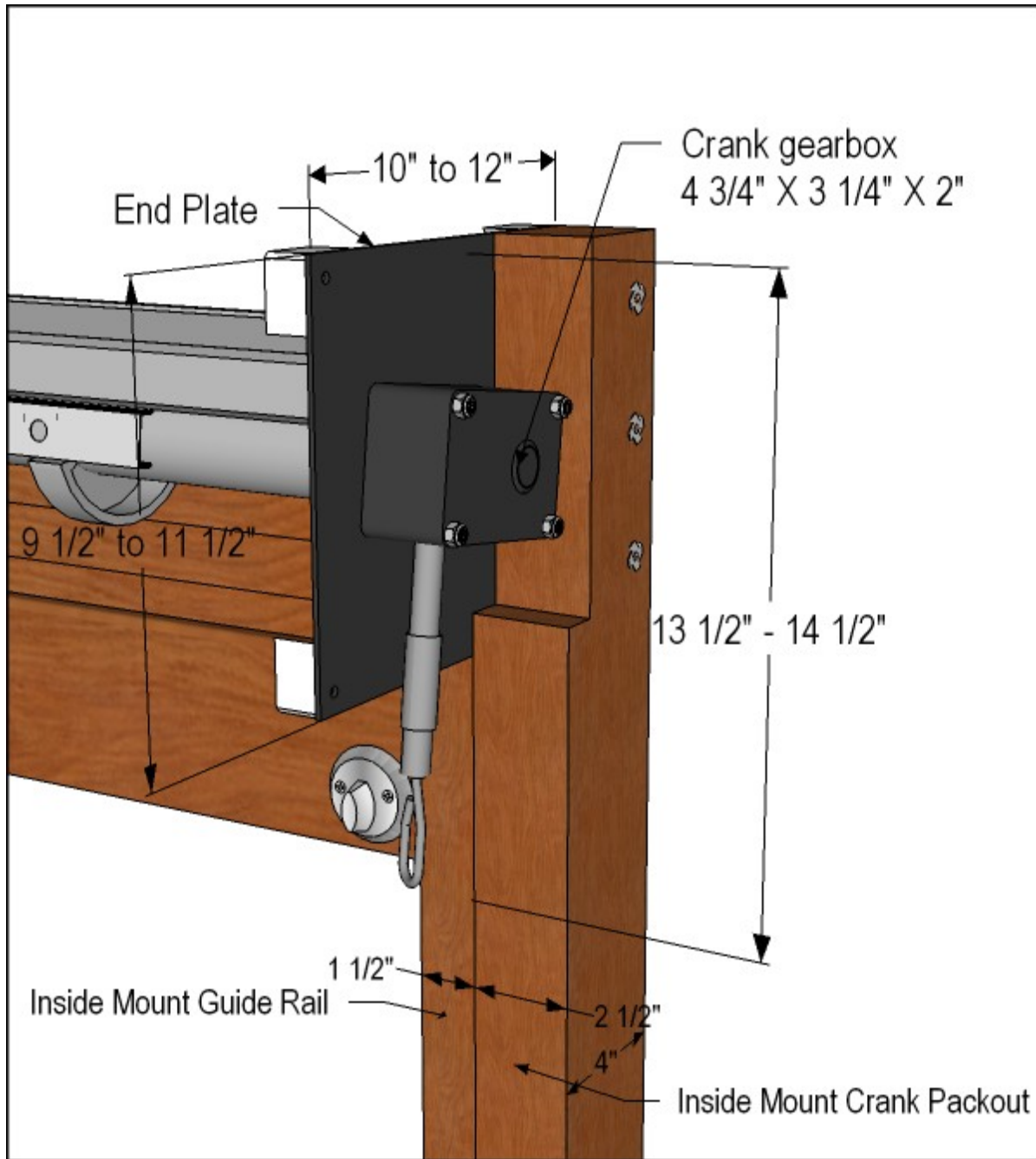
View from Coil Side



Shown without Hood or Fascia option
Shown with Keylock option

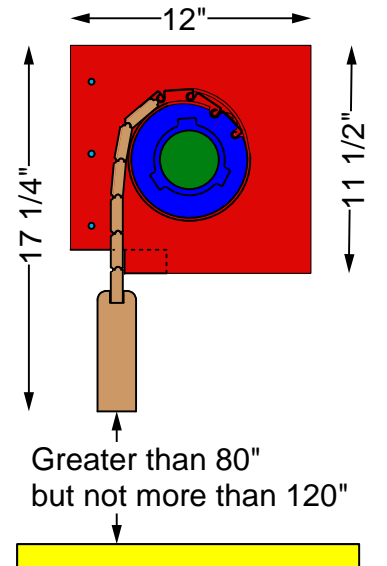
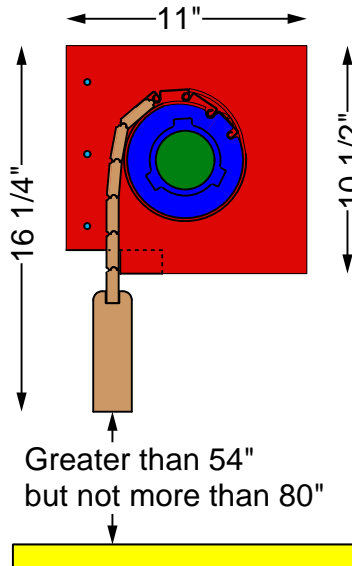
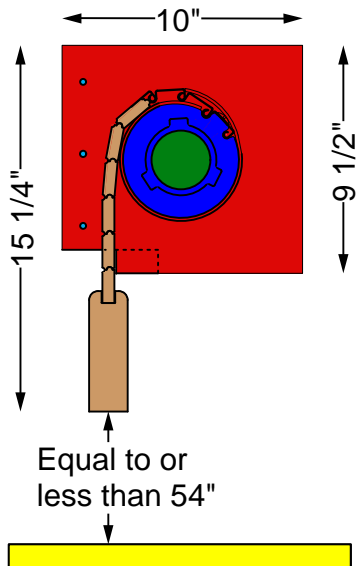
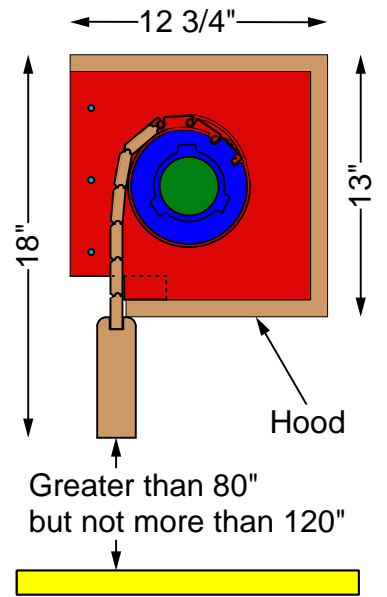
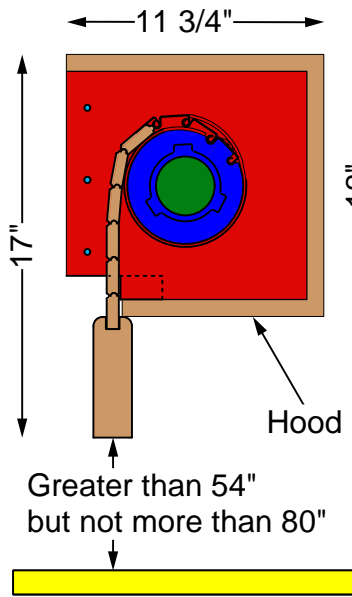
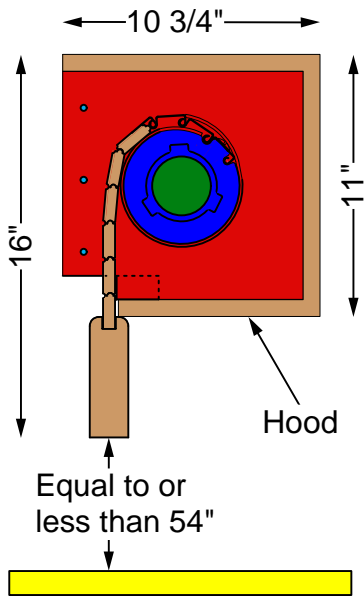
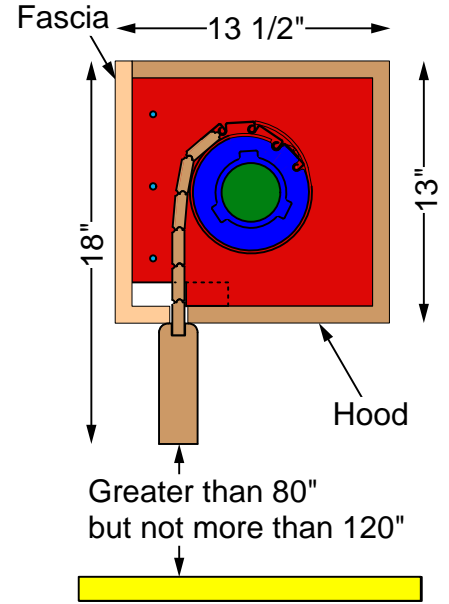
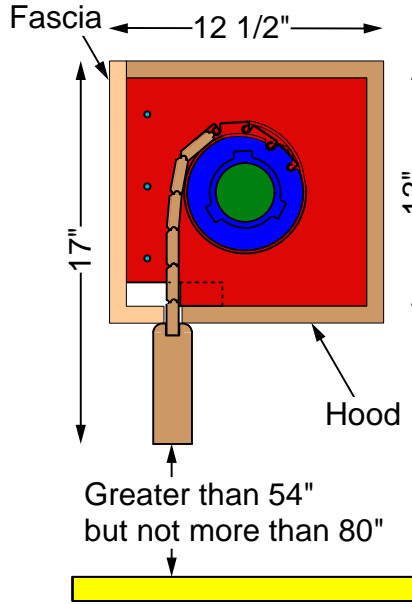
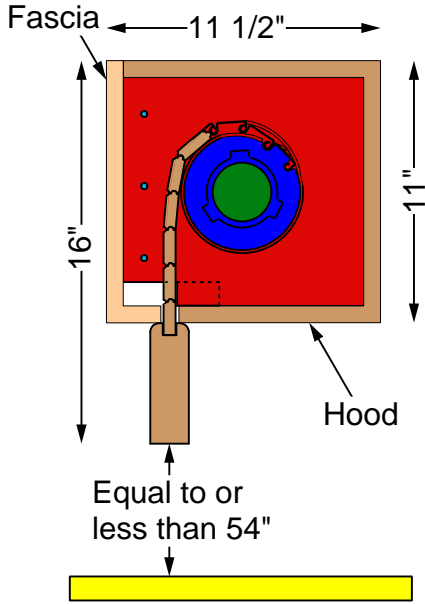
Between Wall without Lintel Hand Crank Operation - Details

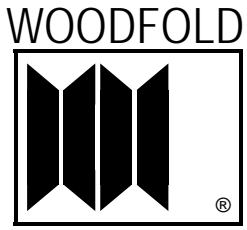
View from Coil Side



Shown without Hood or Fascia option
Shown with Thumb Turn option

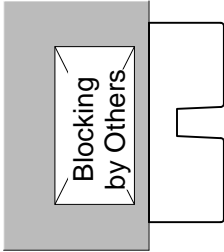
End Plate size details





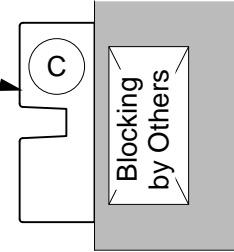
Between Wall without Lintel

Top View

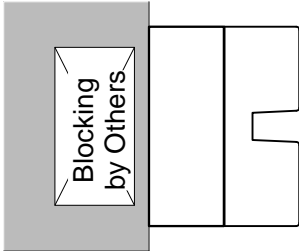


Manual push up
Operation

Guide Rail
(by Woodfold)

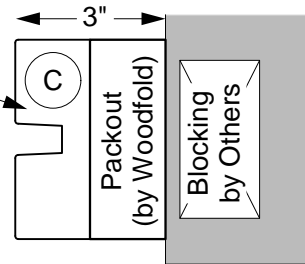


Top View

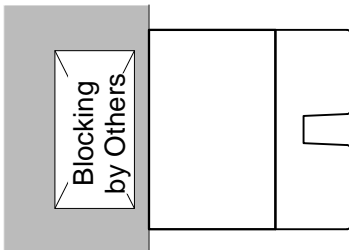


Motorized
Operation

Guide Rail
(by Woodfold)

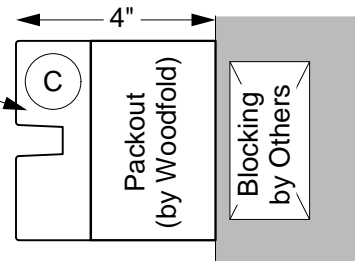


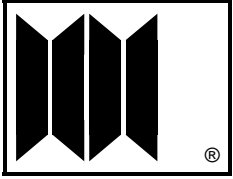
Top View



Hand Crank
Operation

Guide Rail
(by Woodfold)





Between Wall without Lintel

