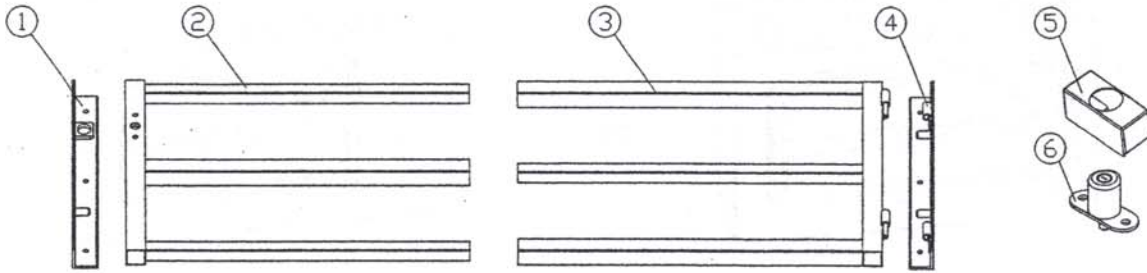


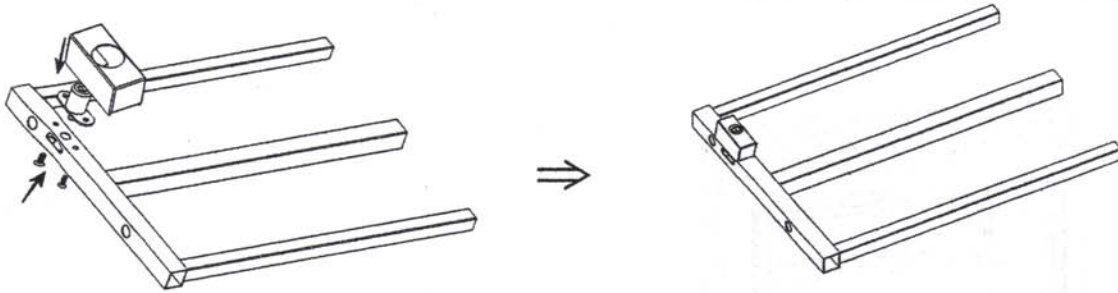
1. Get right size of expandable window bar according to window frame size.

2. Open the package and check the following parts in the package

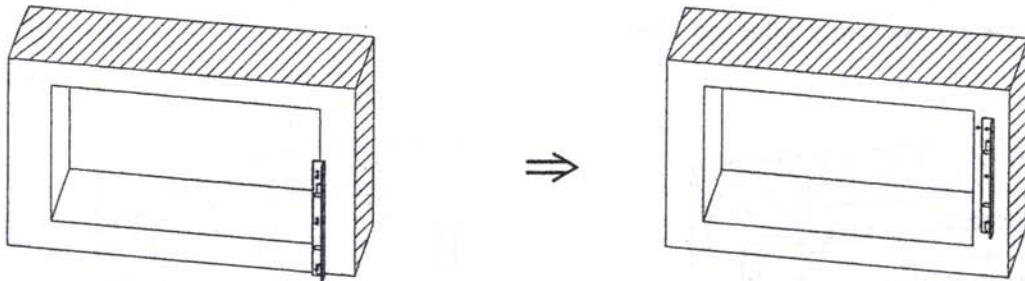
① 1 piece ② 1 piece ③ 1 piece ④ 1 piece ⑤ 1 piece ⑥ 1 piece, and 1 bag of installation screw.



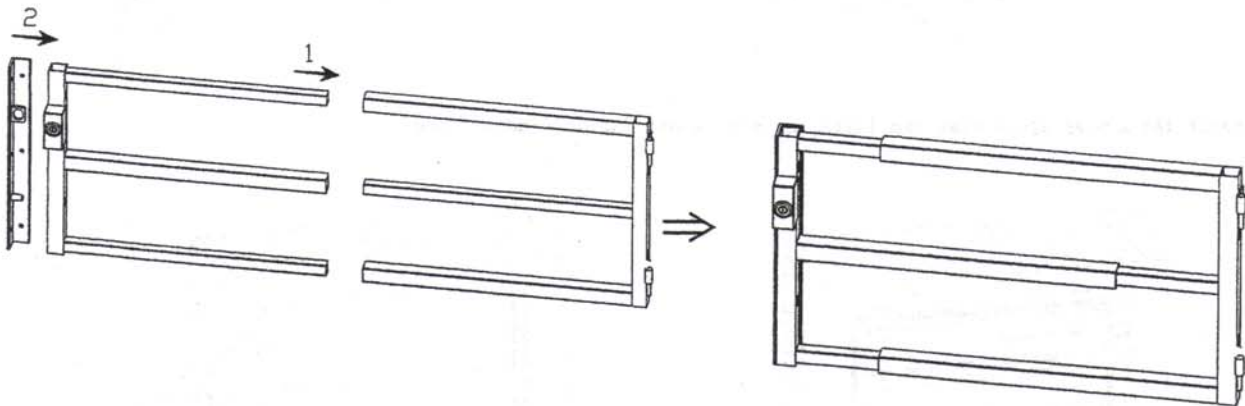
3. Assembly lock with bar together using screws and nut.



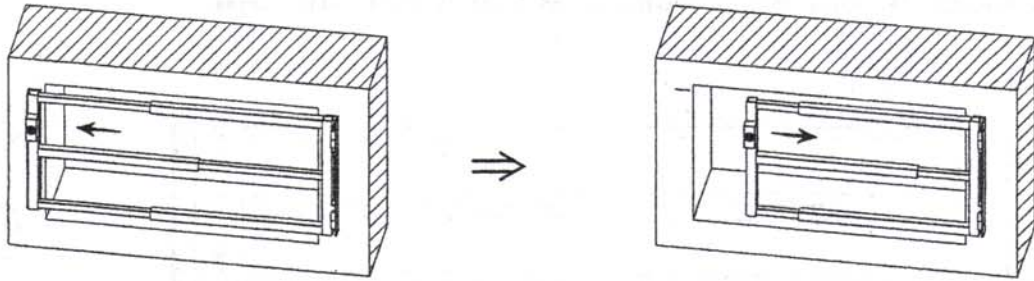
4. Using screw install parts ④ on middle of right side window frame.



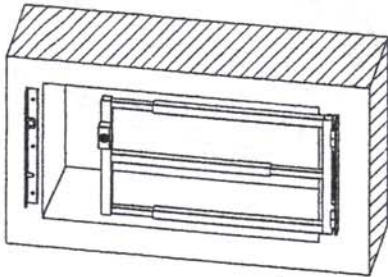
5. Assembly parts ① ③ and assembled parts in steps 3.



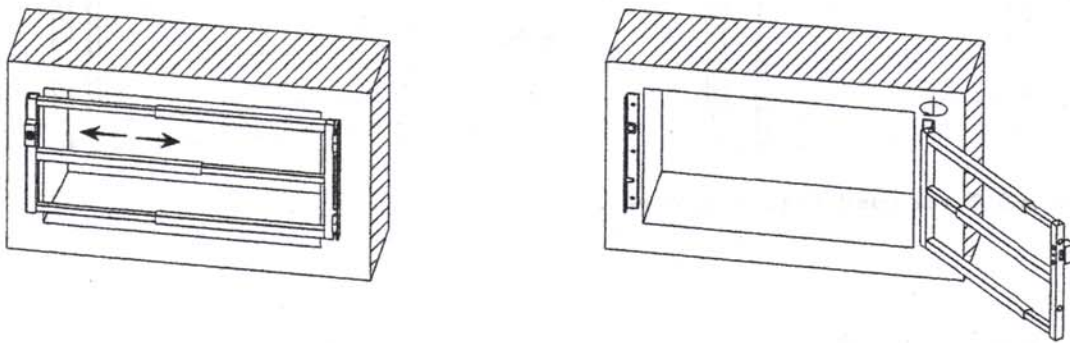
6. Put assembled window bar in last step with parts ④ installed on right side of window frame together, and stretch to left side of window frame, and mark the position of parts ④ on left side of window frame.



7. Install parts ① on left side of window frame.



8. Check the window bar can freely swing and close.



9. Repeat the above steps also can installed window bar inside window frame.

