

Folding Security Gate Installation

Before Starting Installing make sure following

- **Installation Surface must be solid (wood, steel, brick, aluminum) and must hold the weight and daily operation of gate. Do not install gate on drywall.**
- **If you are not installing directly on the frame of window or door or if want to keep some space between doors and folding gate, Figure out the hardware you need for proper installation.**
- **Make sure to get all hardware before starting installation**
- **We recommend to buy one castor and one regular lock with each folding gate**
- **If you are not sure what will be required and how to install, Please [contact](#) with opening width and depth of the window/door and photograph .We will reply within 48 working hours.**

General Instruction

Unpack gate, and unwrap hinges from the gate. NOTE: rivets face inside

Place hinges 1/2" below of top slot and and 1/2" above the at botom slot of the gate.



Ensure that the barrel of the hinge is on the rivet side of the gate; use flat head screws..

1. Install the caster at the bottom of the gate on the leading channel, watching which end you put it on, as it will determine the rivet side, as well as left or right orientation.



- Optional-step to mount gate other than window/door frame directly



L Bracket

- Install post with or without L bracket and feet



Post



Feet,4"

- (Depend on mounting surface and custom requirement) to keep folding gate away from door frame, if necessary
- Install the Post on each side of opening if Installing on Brick, Concrete or Drywall
 - Stand folded gate against the doorframe or Post where you intend to mount it. Or if you had installed post, then stand folding gate against post.
 - Mark the mounting surface through the holes in the hinge bar with a pen or pencil for mounting into (Keep castor 2 mm up from the bottom for better maneuverability when gate is installed)

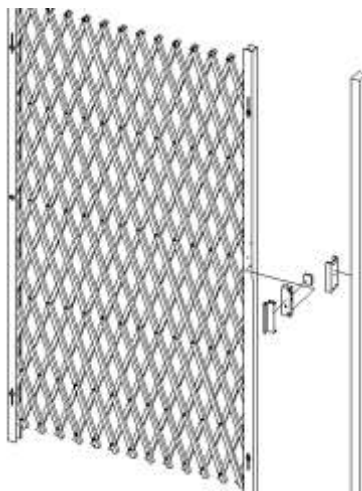


Figure 1-Overview of Installation

- Drill appropriate size holes according to screws in the mounting surface.

7. Mount the gate by inserting the screws through the hinges.
8. Stretch the gate across the opening. Line up the locking bracket on the opposite side so that the padlock hole in the gate and the padlock hole in the locking bar match.

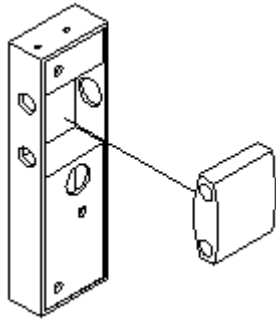


Figure 2-Lock assembling step-1

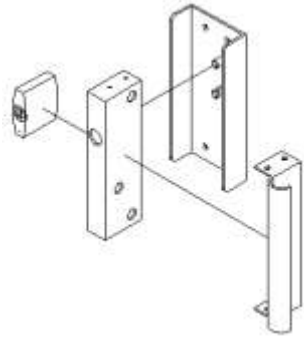


Figure 3-Lock Assembling Step 2

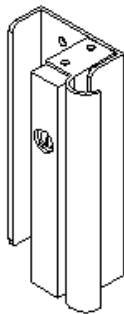


Figure 4-Complete Lock assembly

9. Mark through the mounting holes of the locking bar with a pen or pencil.
10. Drill holes and insert the screws to mount the locking bar.
11. Put the hole at back of the lock onto fixed steel rivet on gate frame, and screw the lock on gate frame
12. Pull the door into the locking bar, and insert a padlock.

13. Optional (Sold Separately): Install shooting bolt (Can be installed at bottom to stop further moving)(Sold Separately)



14. Optional (Sold Separately): Install U-bracket so two gates match and fit (Installed for Two (double) gate system)



15. Optional (Sold Separately): Install T-bracket at the side of one gate so two gates match and hold each other
16. Optional (Sold Separately): Install Handle



17. For Cigarette Cages and security cages(Use Double Diamond or Triple Diamond gate to prevent reach thru of hands from outside and will provide additional security)
- Mount Hanging Castor on Top of the moving side of the gate
 - Install Gate on Post with hinges
 - Before Installing the tracks, Make sure to get hard surface to install tracks



- Insert the Hanging Castors on track



- v. Install the Track on firm support



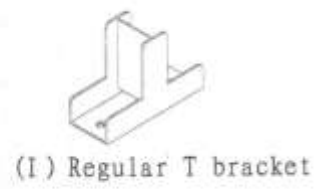
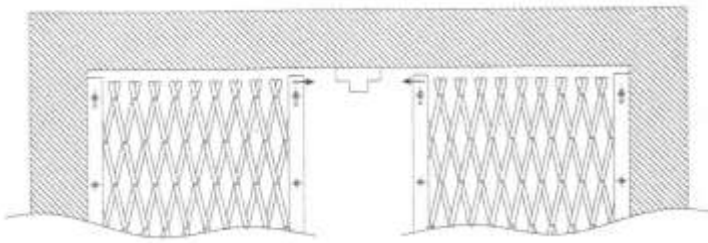
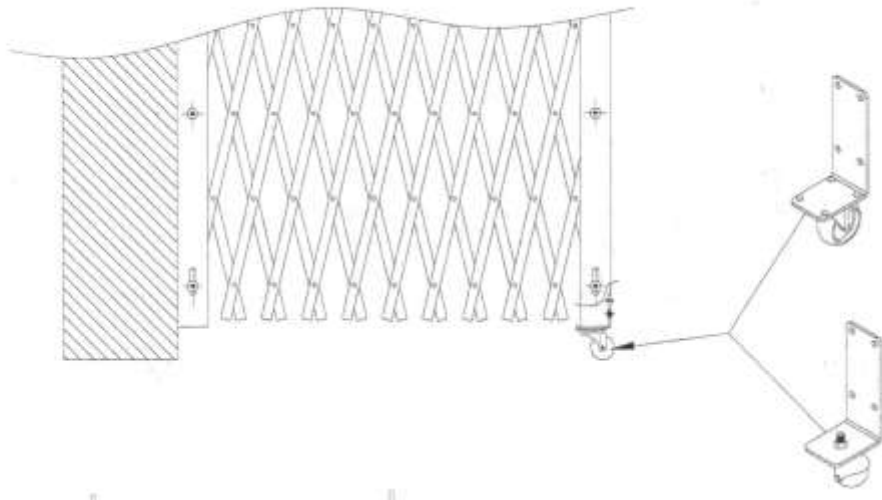
- vi. Install Lock post and assembly of the gate



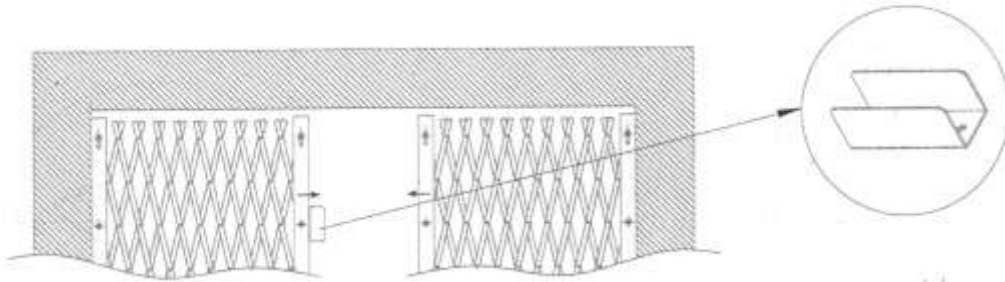
Figure 5-Cylinder Lock and Post

Useful Drawings for Installation

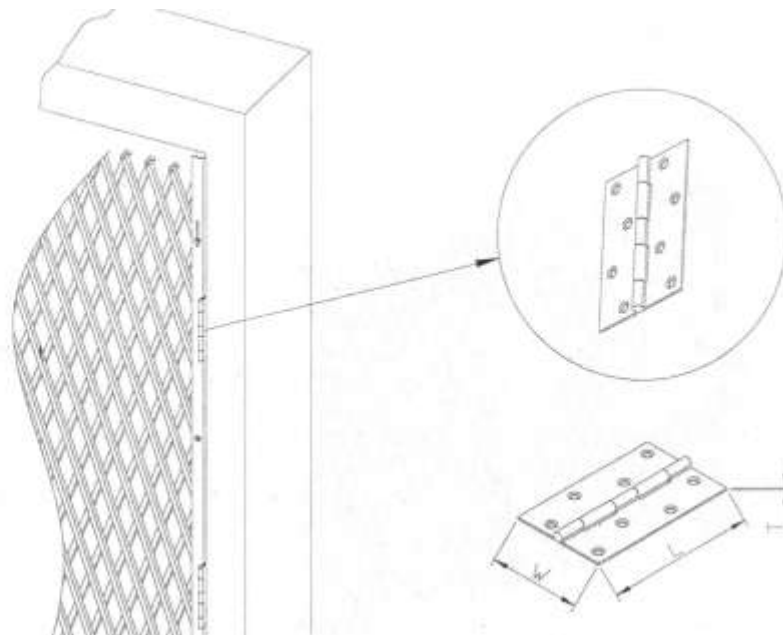
Caster



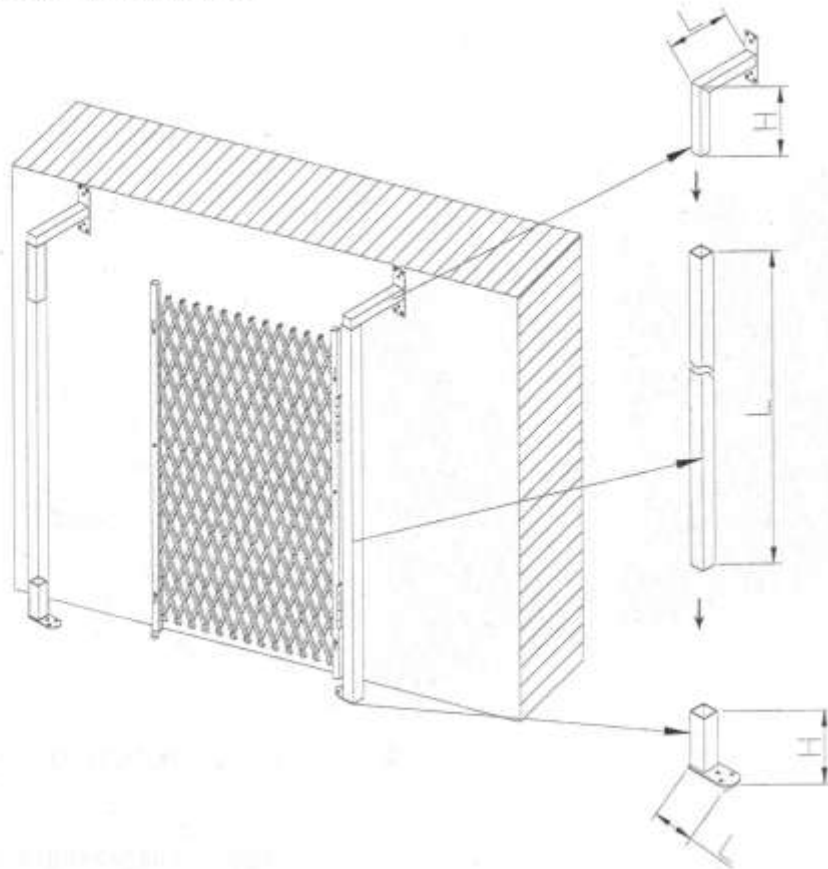
Using U bracket protecting shaking



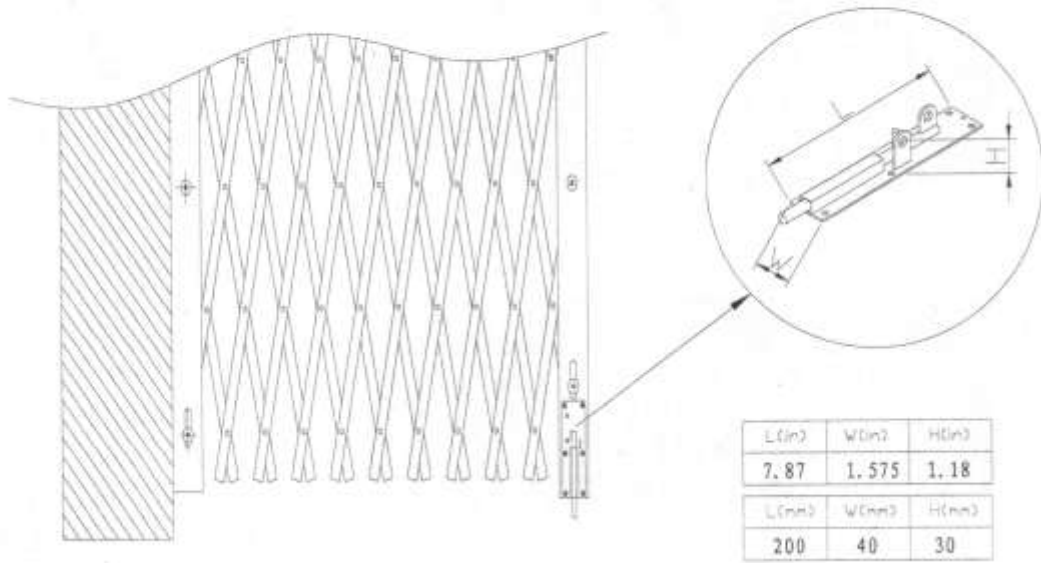
Hinge



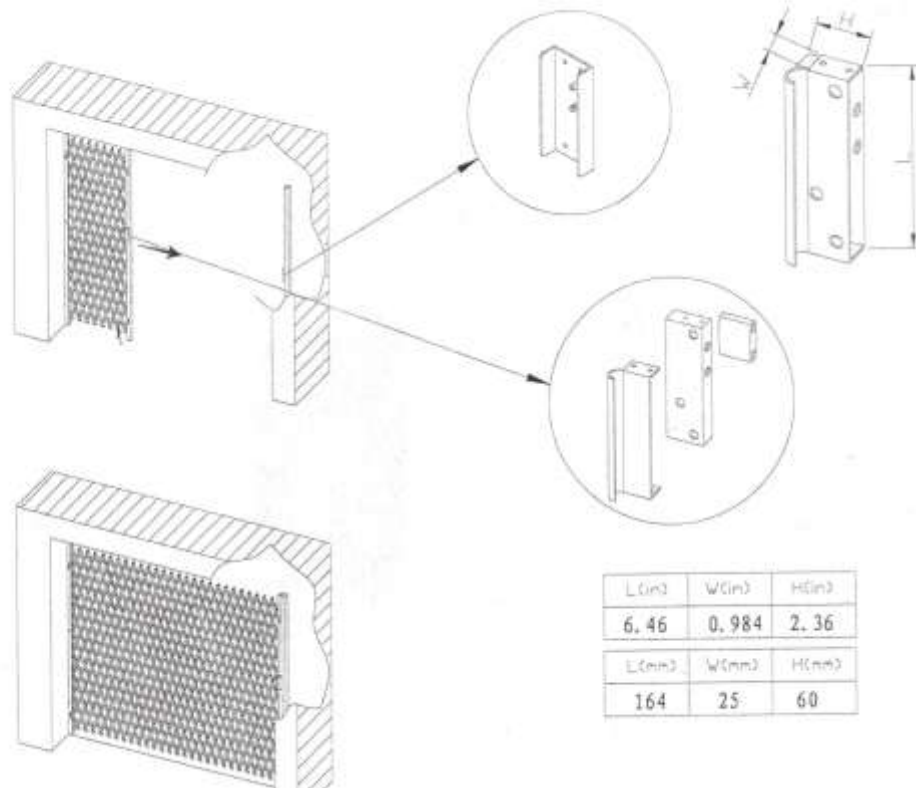
Stand out door installation



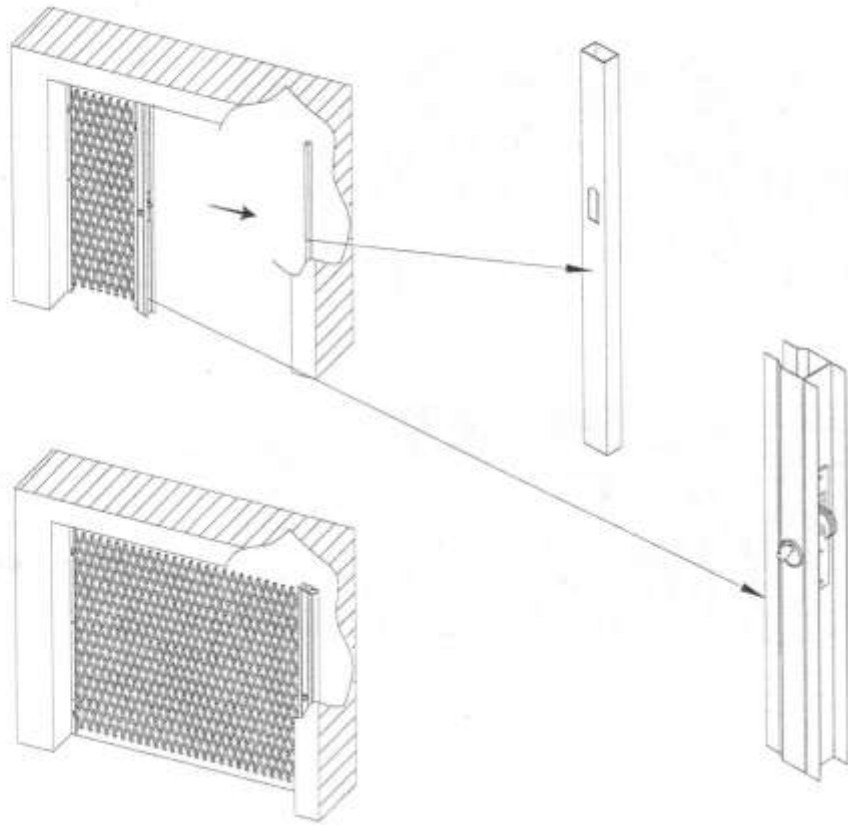
Shooting Bolt



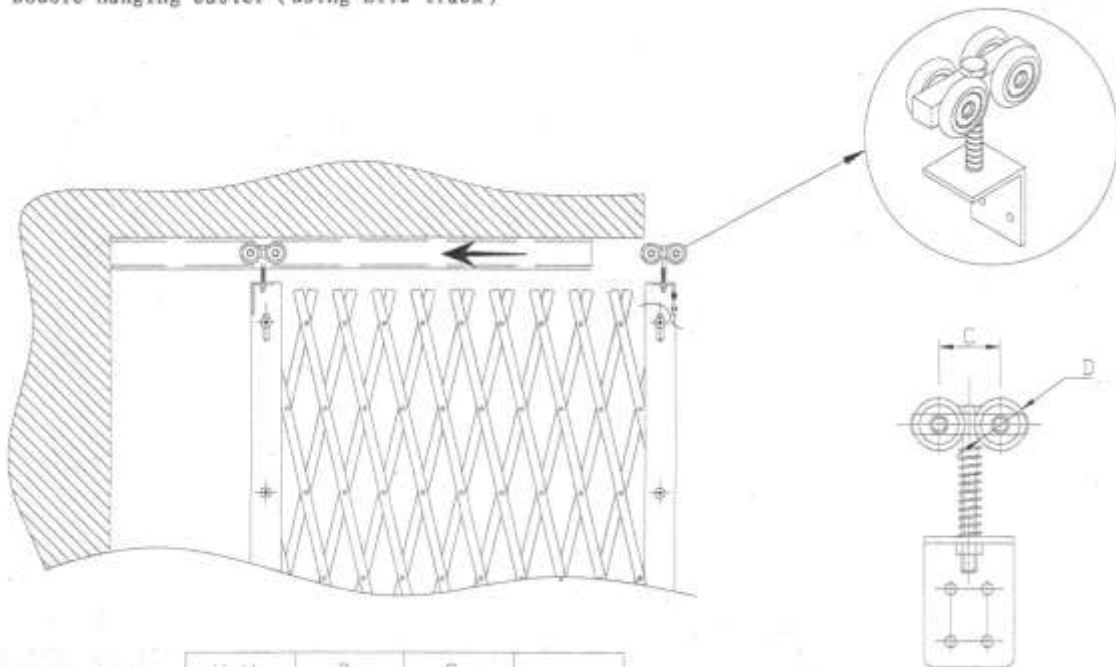
Push Lock



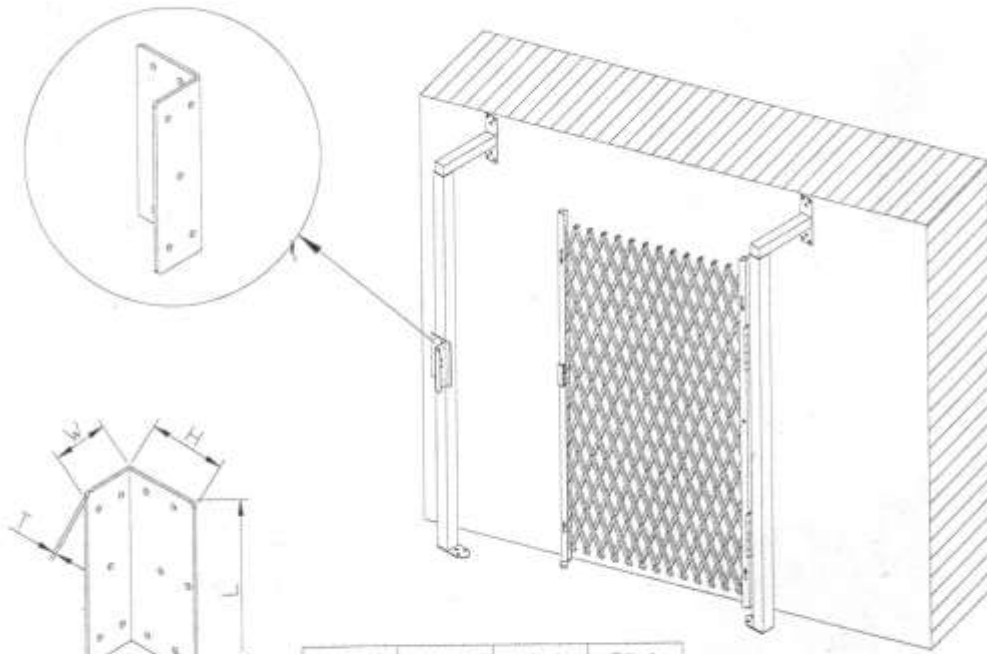
Cylinder Lock post



Double hanging caster (using E1T2 track)

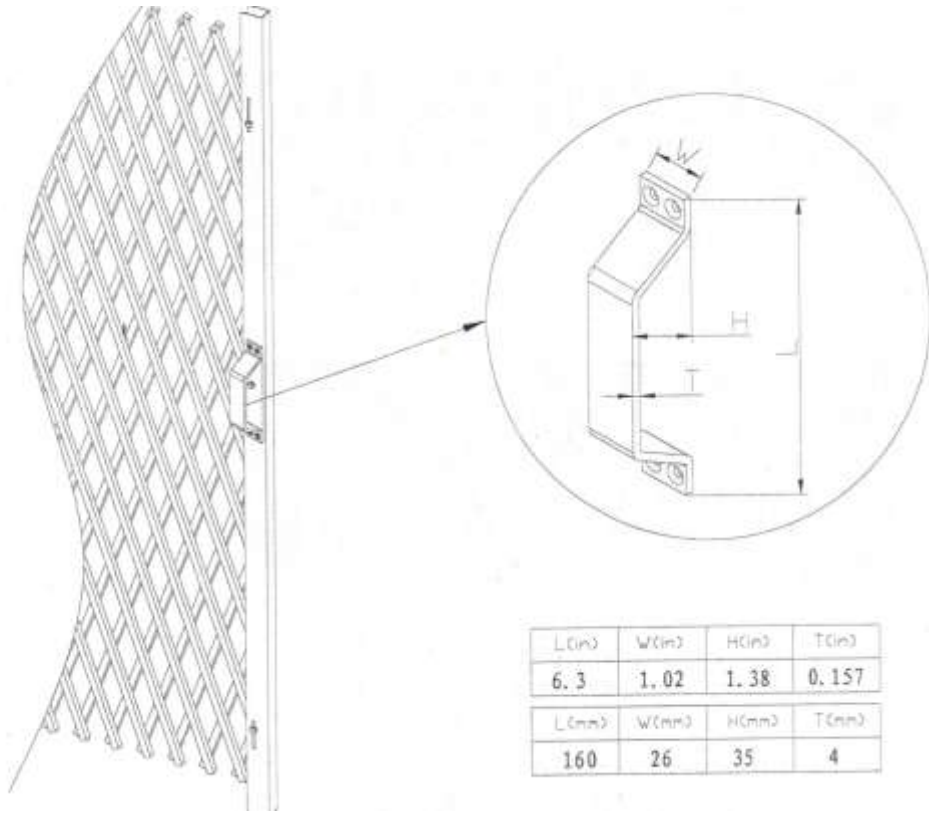


L plate



L(in)	W(in)	H(in)	T(in)
6.3	0.197	2.756	0.118
L(mm)	W(mm)	H(mm)	T(mm)
160	50	70	3

150010



L(in)	W(in)	H(in)	T(in)
6.3	1.02	1.38	0.157
L(mm)	W(mm)	H(mm)	T(mm)
160	26	35	4