

CUSTOMER: _____ DATE: _____

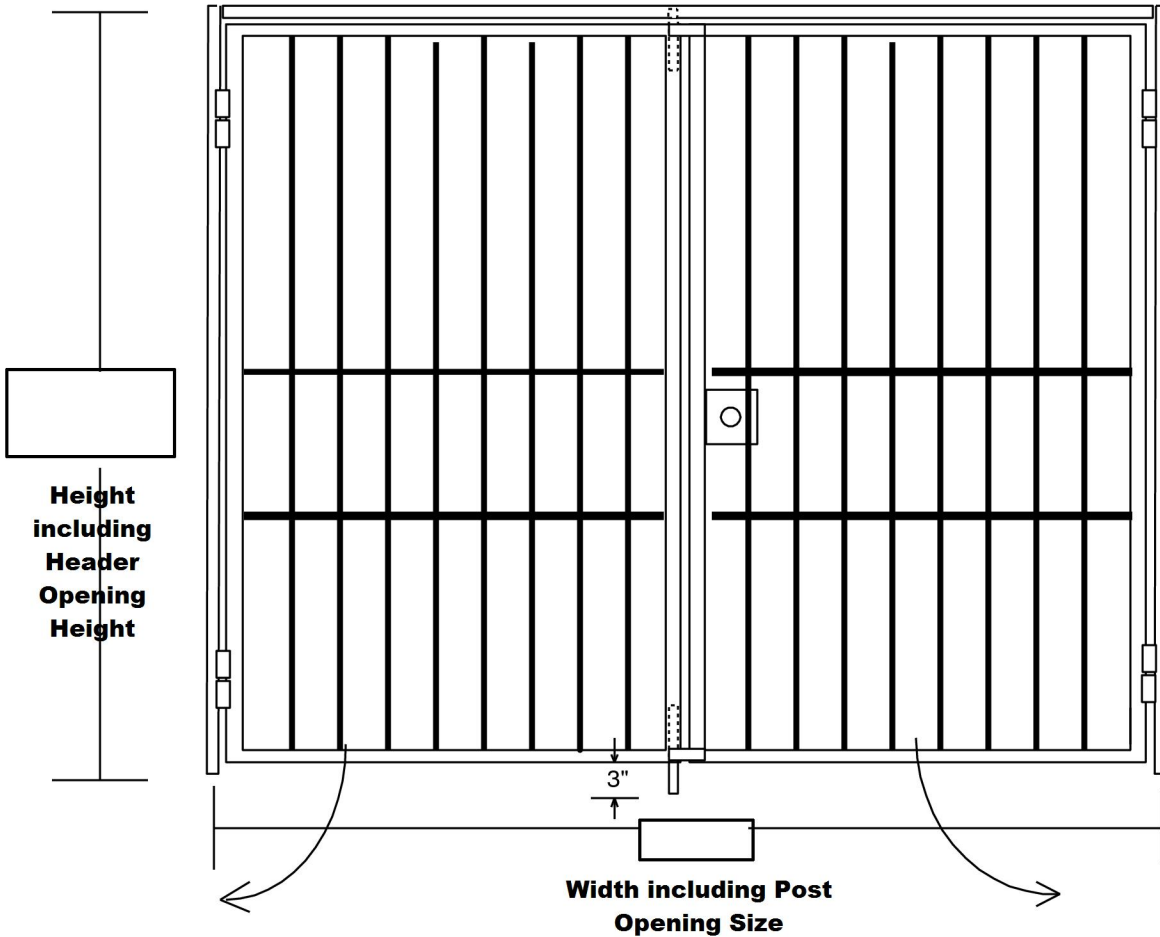
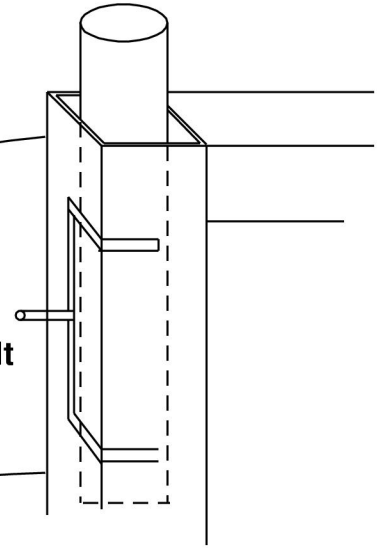
SHIP TO ADDRESS : _____

5/8" solid 8" long

**Double Metropolitan Gate
with top & bottom pins**

Frame 1" x 1" steel tubing
Grid 1/2" x 1/2" steel bar

typ, internal slide bolt
detail
(interior view)



Approval Signature
Name: _____
Phone: _____
EMAIL : _____
FAX: _____



VRINDA INC.

www.SecurityWindowBars.com

Phone: 1-877-874-6321
Fax: 1-877-874-6564