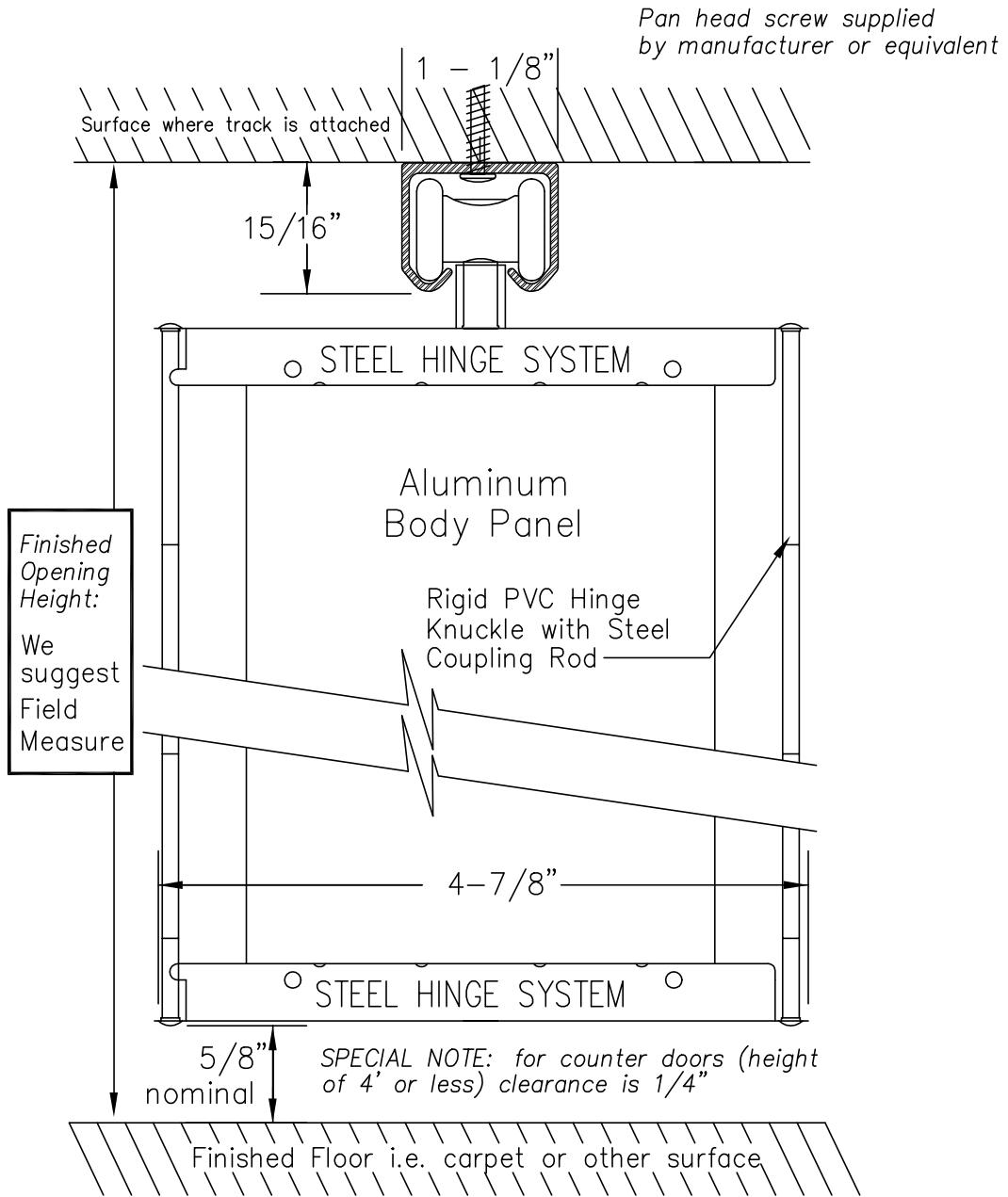
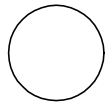


Surface Track



CAD SRTK-640



SURFACE TRACK — MODEL 640