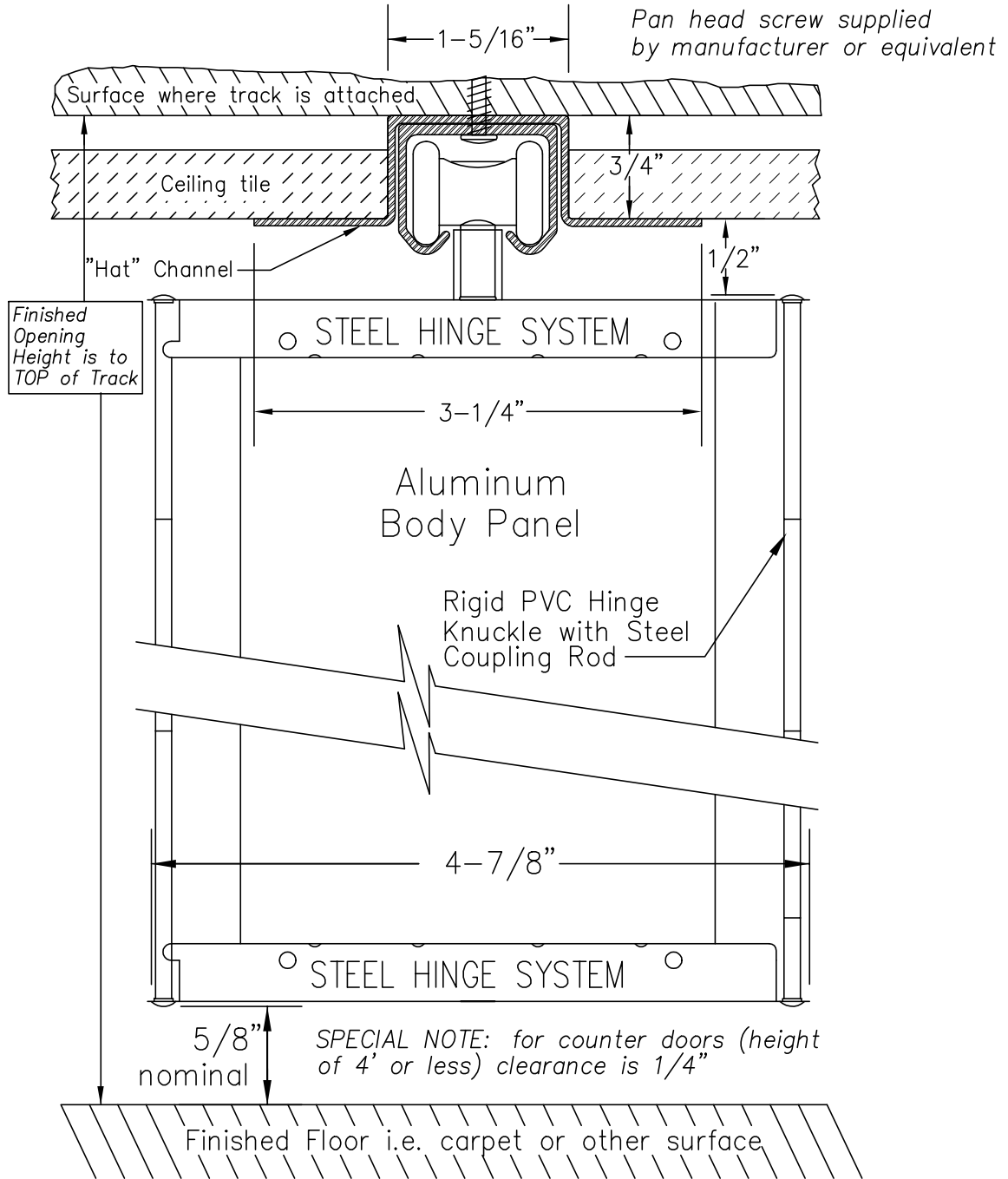
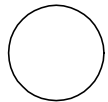


Recessed Track



For Floor Clearance other than above please specify

CAD RETK-640



RECESSED TRACK — MODEL 640