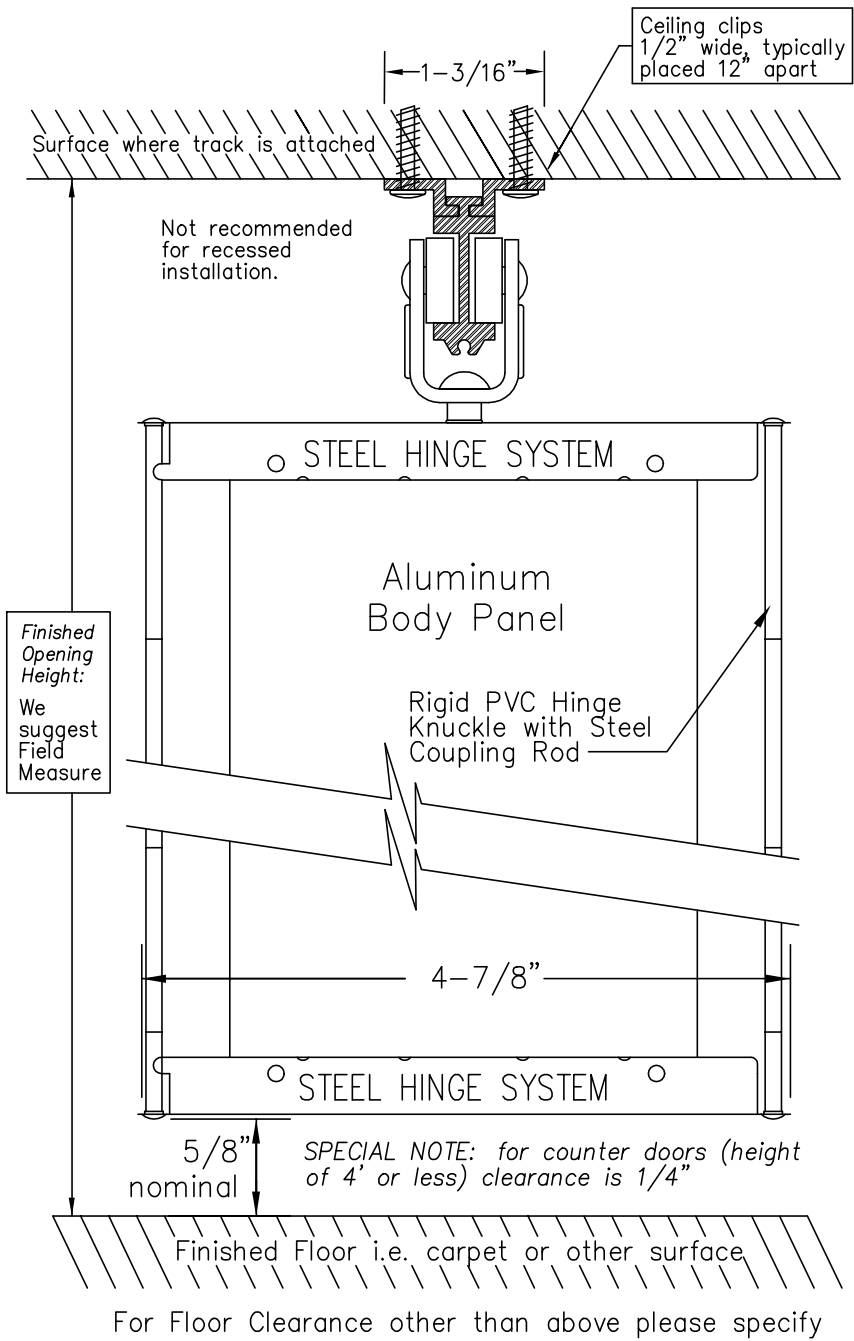


I-Beam Track

Curvable at job site
to a 12" minimum radius



CAD IBM-640

○ I-BEAM — MODEL 640