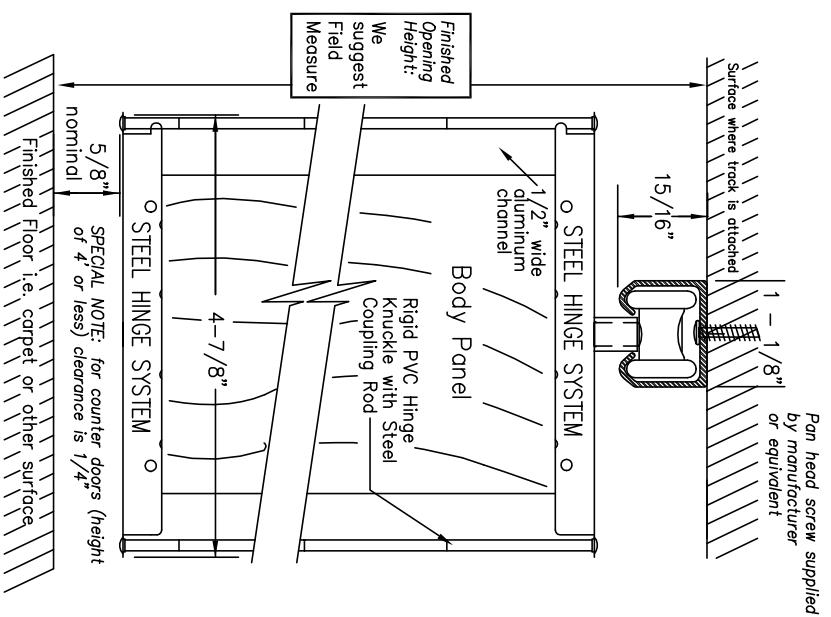
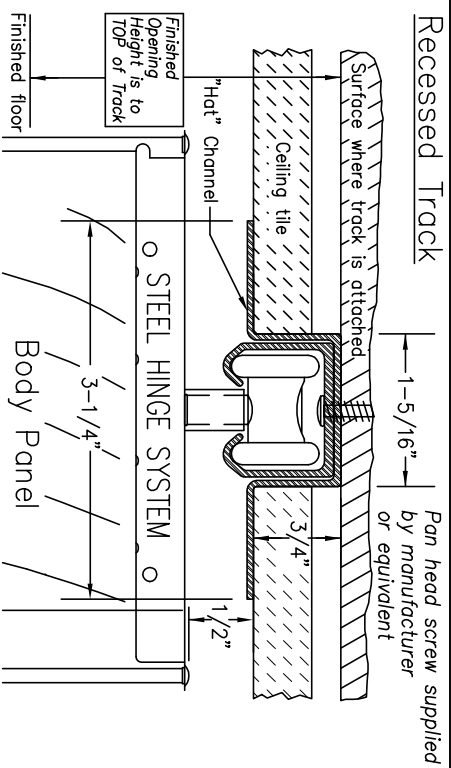


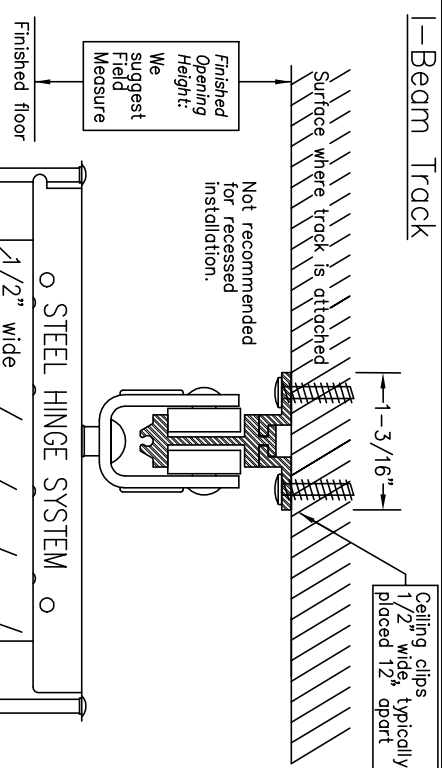
Surface Track



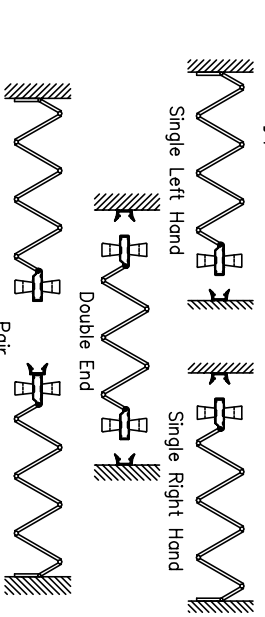
Recessed Track



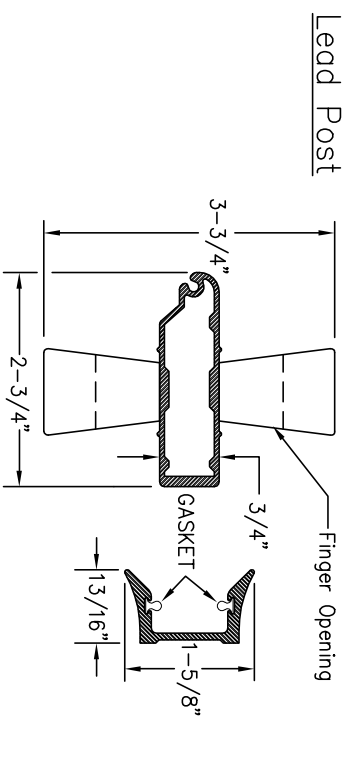
I-Beam Track



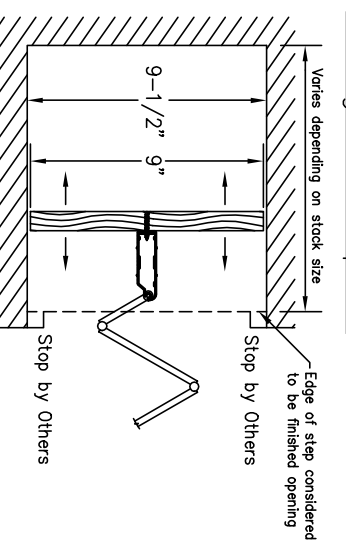
Door Types



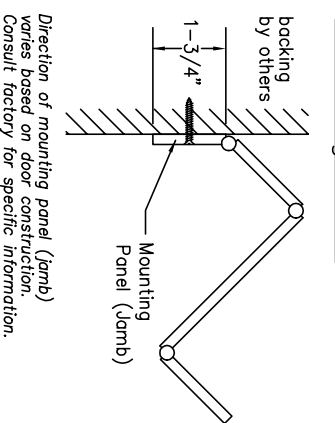
Lead Post



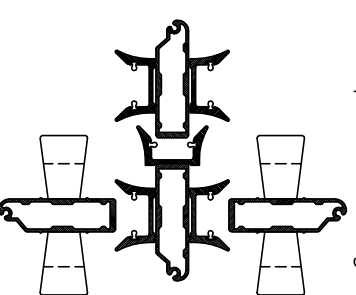
Sliding Jamb Option



Mounting Panel

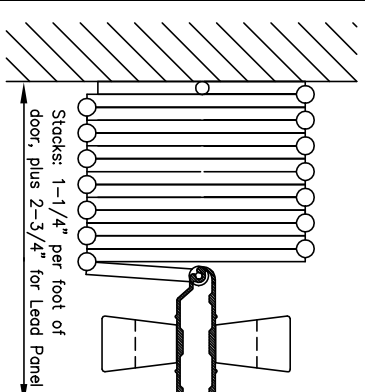


Multiple Meeting Option

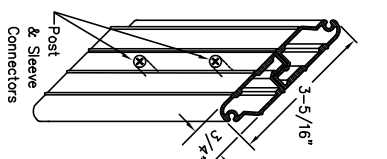


THESE SPECIFICATIONS ARE SUBJECT TO CHANGE WITHOUT NOTICE

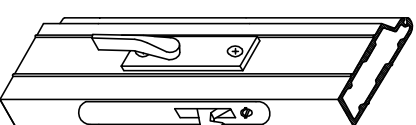
Stack Dimensions



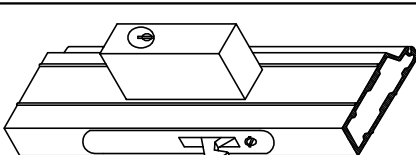
Intermediate Rolling Post



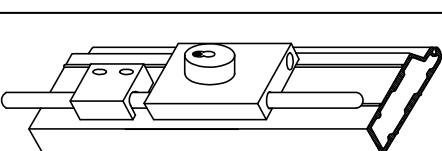
Privacy Latch



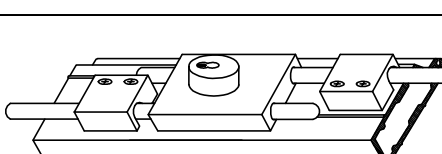
Keylock



Single Cremone Bolt Keylock



Double Cremone Bolt Keylock



INFORMATION

Width: Custom made to any width
 Height: Custom made to 10' - 1"
 Panels: Acrylic, natural hardwood or vinyl-lam
 Side Channel: Aluminum: White, Brown, Sand or Clear
 Panel Connector: Rigid Vinyl: White, Brown, Sand or Clear
 Coordinated with side channel
 Hinge System: Steel: Dark Bronze or Clear
 Ball bearing nylon wheels on steel axles
 Wheels: Aluminum (straight or curvable); Dark Bronze or Clear
 Track: Aluminum (straight only): White
 Recessed Channel/"Hot" Channel: Aluminum: White, Brown, Sand or Clear
 Lead, Intermediate and Jamb: Coordinated with side channel
 Latch: Deadlatch with Key Lock two sides
 Header: Construction Details by Others
 Door Weight: Average Weight: 10lbs. Per lined foot
 12lbs. Per lined foot
 15lbs. Per lined foot
 18lbs. Per lined foot
 See Woodfold Accordion Door brochure for additional details

Catch/Lock Options

Magnet with strike plate
 Privacy Latch: Deadlatch with thumb turn one side
 Springlatch: Springlatch with thumb turn two sides
 Keylock 1 Side: Deadlatch with thumb turn one side, keylock one side
 Key and Single Bolt: Key and single bolt lock
 Key and Double Bolt: Key and double bolt lock
 Single Cremone: Single Cremone Bolt with Key Lock
 Double Cremone: Double Cremone Bolt with Lock
 Footbolts: Locking or non locking
 Other Keyed Options: Keyed alike, custom keyed, construction core
 Contact manufacturer for more details

Job Name: _____
 Job Location: _____
 Supplier: _____

Architects Acceptance

Qty.	Single/Pair	Single End/Double End	Left or Right Stack	Width X Height	Finish/Color	Comments

THESE SPECIFICATIONS ARE SUBJECT TO CHANGE WITHOUT NOTICE

Woodfold-Marco Mfg. Inc.
 P.O. Box 346 Forest Grove, OR. 97116
 http://www.woodfold.com

Phone: 503-357-7181
 Fax: 503-357-7185
 540 SD 3/00