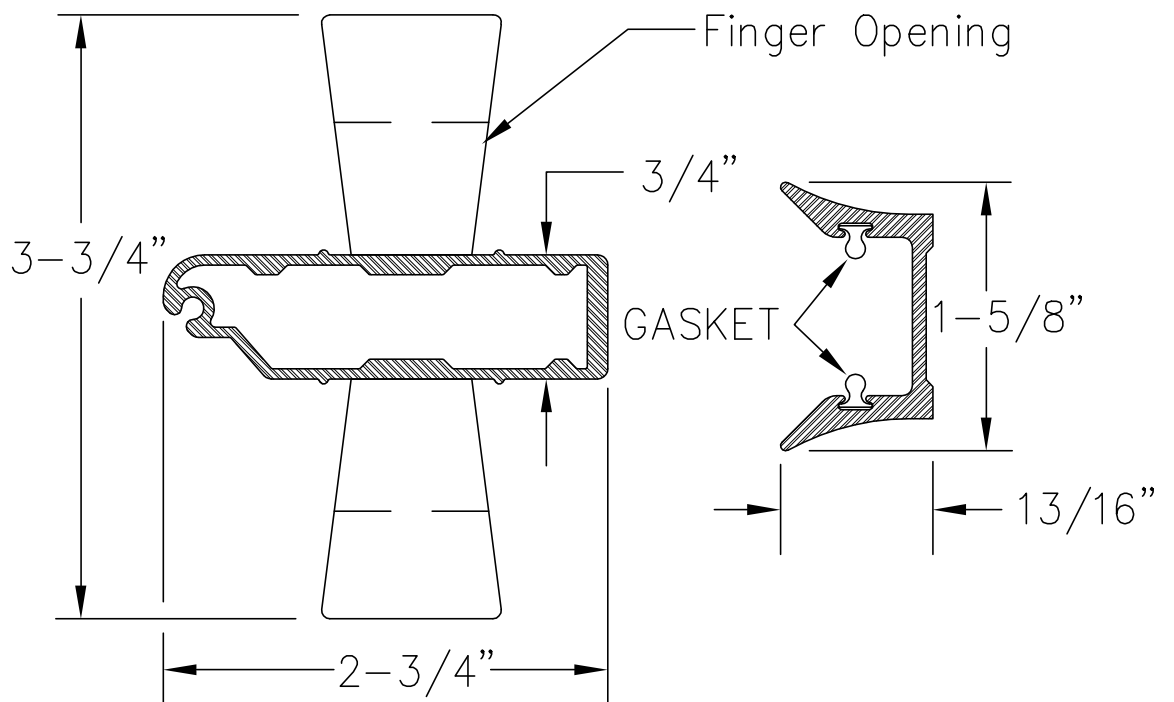
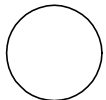


Lead Post, Jamb Moulding & Handle



CAD LPJM-540



LEAD POST JAMB MOLDING & HANDLE — MODEL 540