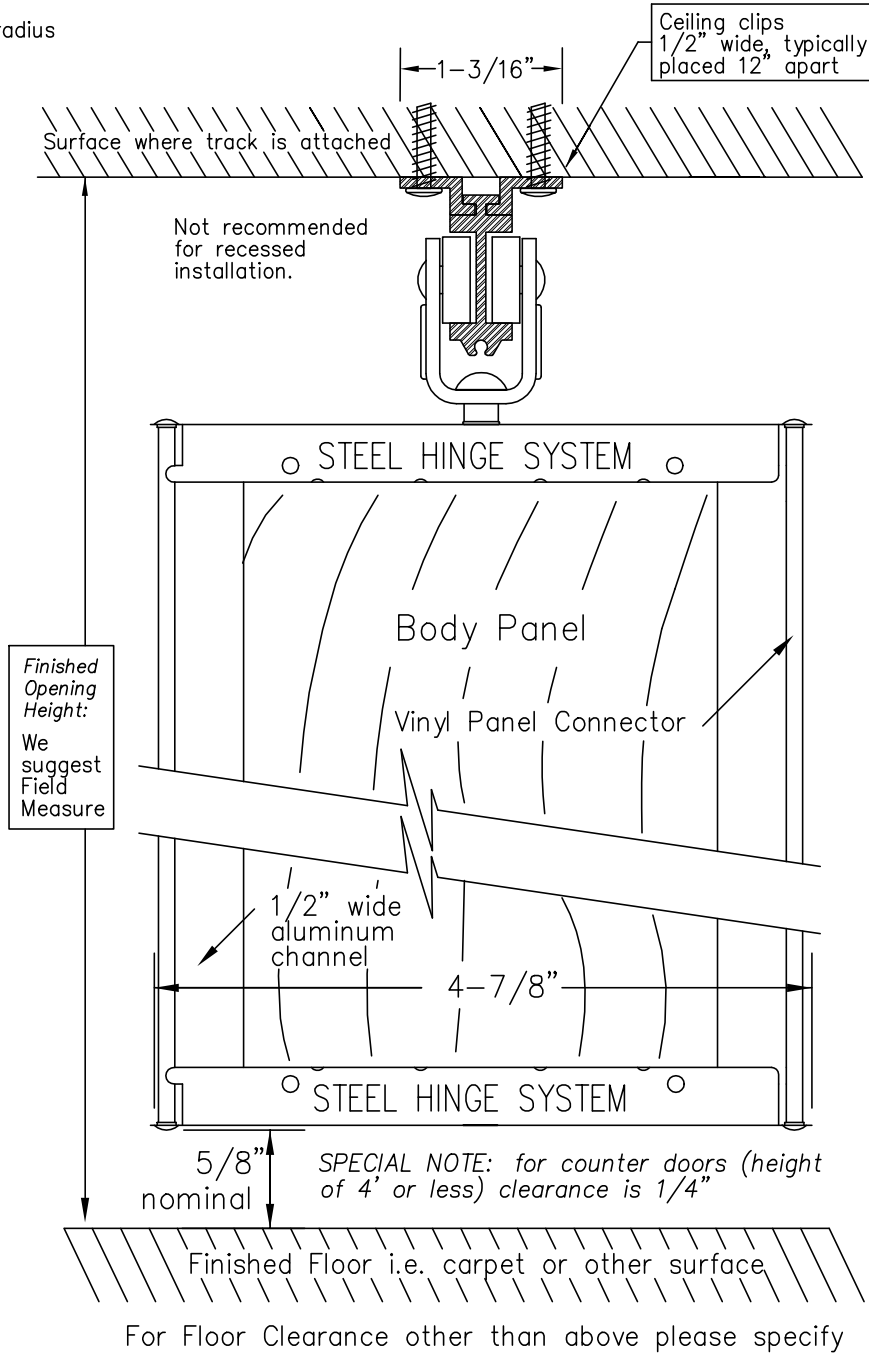
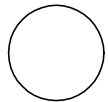


I-Beam Track

Curvable at job site
to a 12" minimum radius



CAD IBM-440



I-BEAM TRACK — MODEL 440