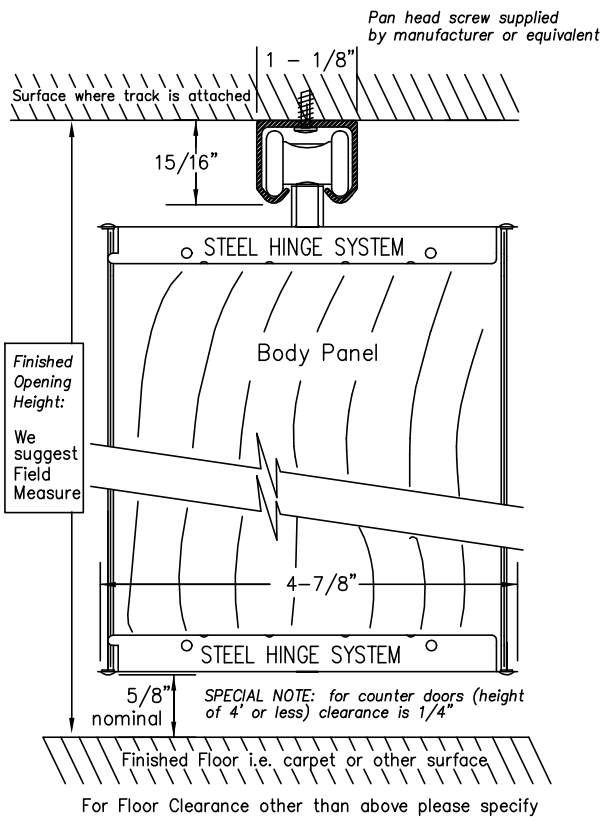
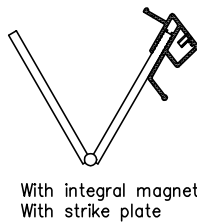


# Series 220

# SHOP DRAWINGS



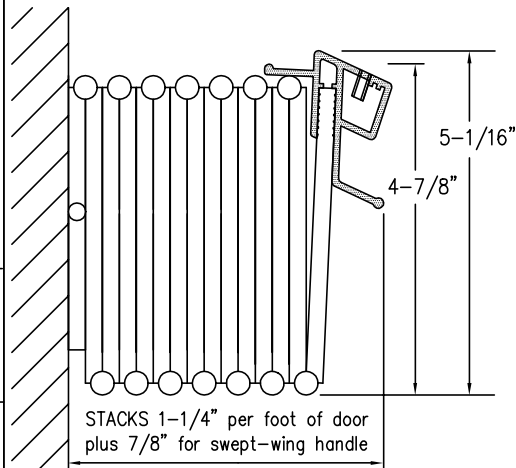
## Swept-Wing Handles



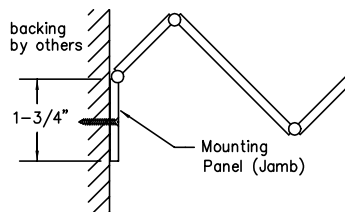
Architects Acceptance

Job Name: \_\_\_\_\_  
 Job Location: \_\_\_\_\_  
 Supplier: \_\_\_\_\_

## Stack Dimensions

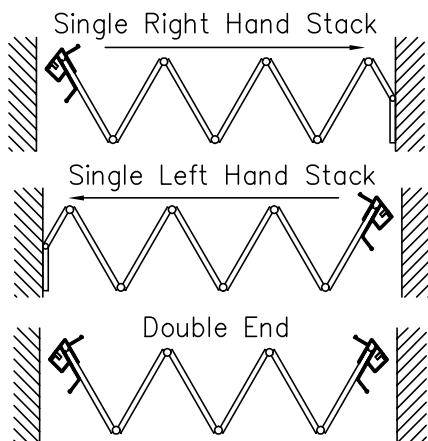


## Mounting Panel



Direction of mounting panel (jamb) varies based on door construction. Consult factory for specific information.

## Door Types



Door Types: Single or Double End only - no Pairs

## INFORMATION

Width	Custom made to 8' - 0"
Height	Custom made to 8' - 1"
Panels	Natural hardwood or vinyl-lam on MDF core
Panel Connector	Extruded Vinyl: White, Brown or Sand
Hinge System	Steel: Dark Bronze or Clear Finish
Wheels	Nylon wheels on lexan axles
Track	Aluminum (straight only): Dark bronze or Clear
Swept Wing Handle	Rigid Vinyl: White, Brown or Sand Coordinated with panel connector
Catch	Magnet with strike plate
Header	Construction Detail by Others
Door Weight	<u>Height</u> <u>Average Weight</u>
	6'-8"                              10lbs. Per lineal foot
	8'-1"                              12lbs. Per lineal foot

See Woodfold Accordion Door brochure for details

Qty.	Single End/Double End	Left or Right Stack	Width X Height	Finish/Color	Comments

Woodfold-Marco Mfg. Inc.  
 P.O. Box 346 Forest Grove, OR. 97116  
<http://www.woodfold.com>

THESE SPECIFICATIONS ARE SUBJECT TO CHANGE WITHOUT NOTICE

Phone: 503-357-7181  
 Fax: 503-357-7185  
 220 SD 3/00