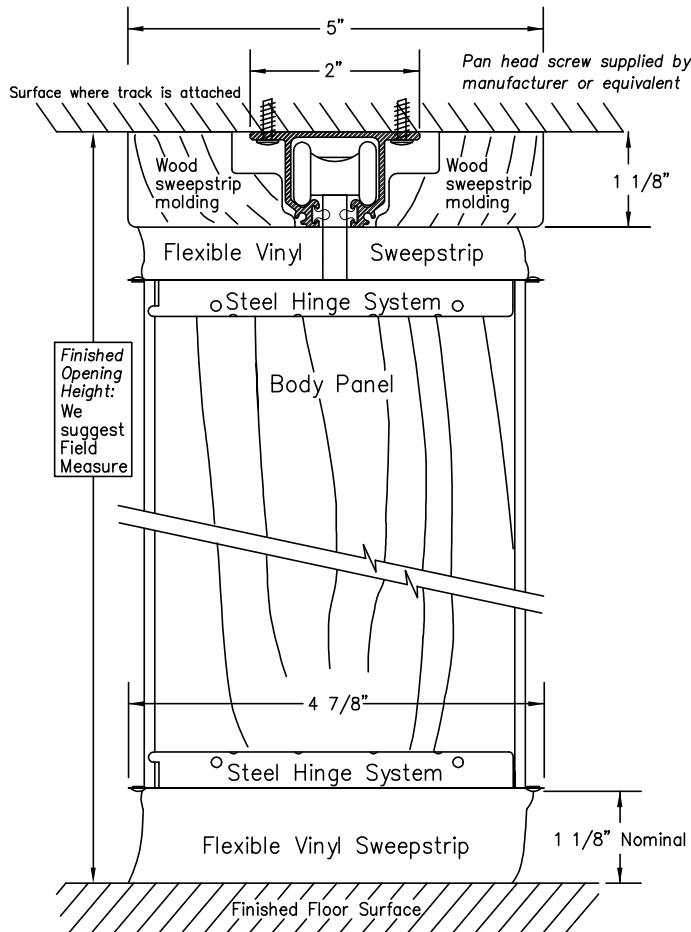
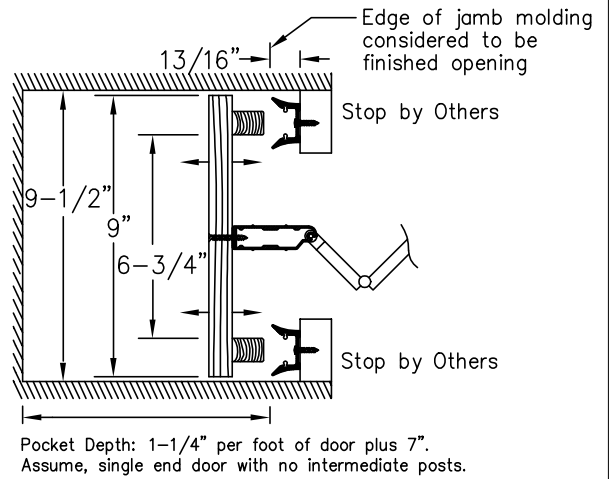


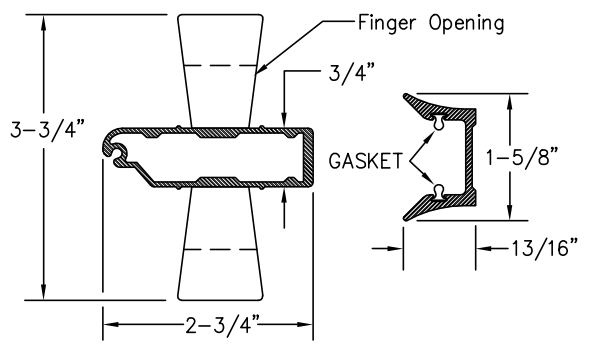
Surface Track



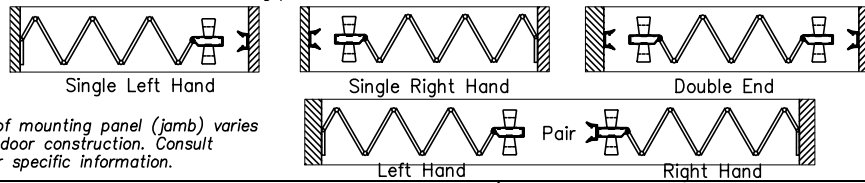
Sliding Jamb Option



Lead Post, Jamb Moulding & Handle

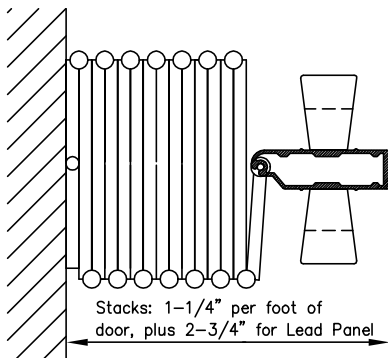


Door Types

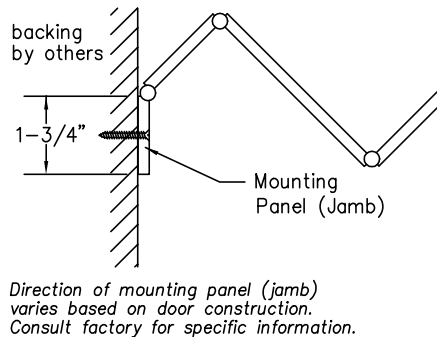


Direction of mounting panel (jamb) varies based on door construction. Consult factory for specific information.

Stack Dimensions



Mounting Panel



Multiple Meeting Option

