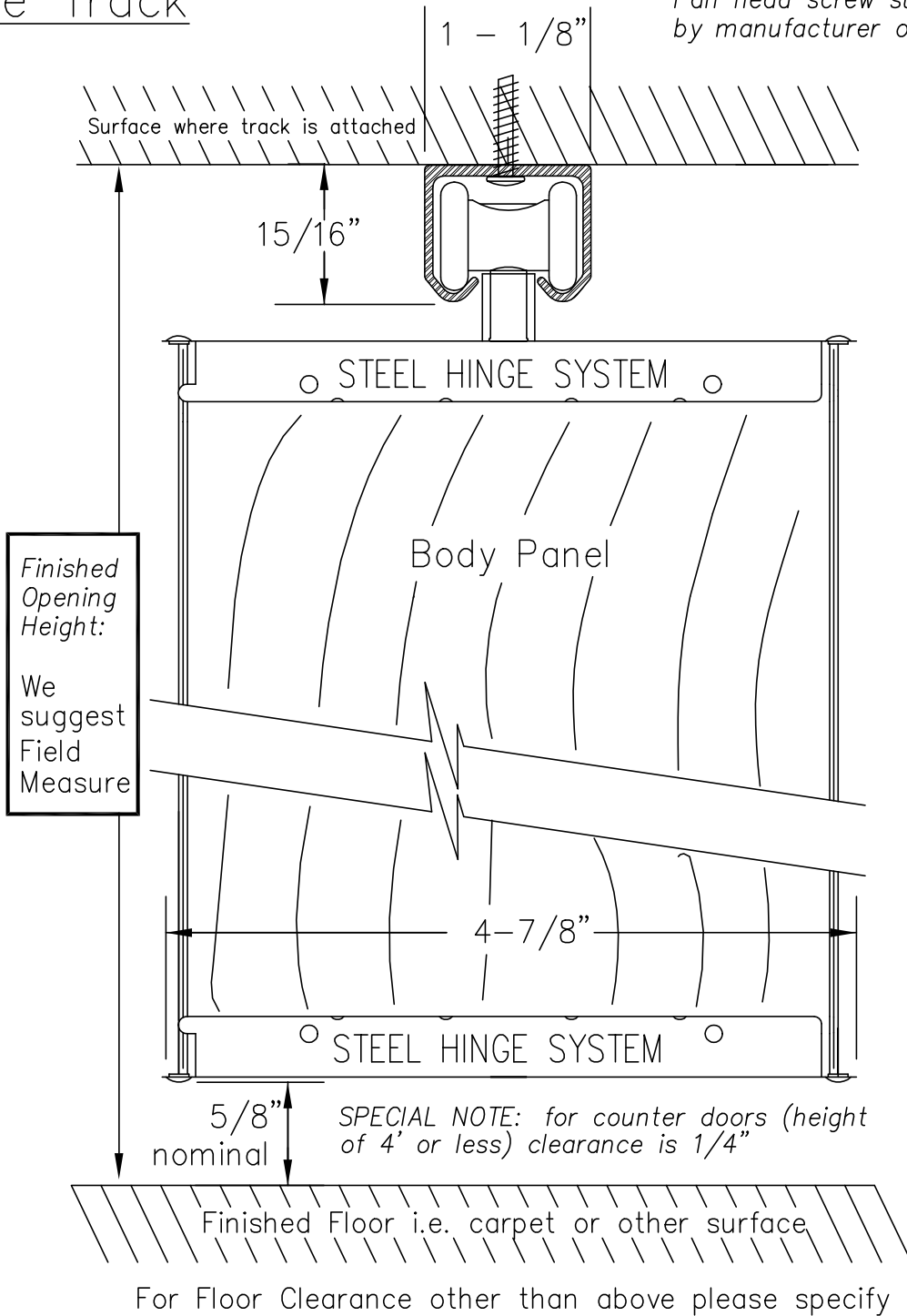


Surface Track

Pan head screw supplied by manufacturer or equivalent



CAD SRTK-140

○ SURFACE TRACK — MODEL 140